

TC-9000 VALVE

2PC FULL PORT 1000 WOG BALL VALVE, THREADED (WITH ISO 5211 DIRECT MOUNT PAD)

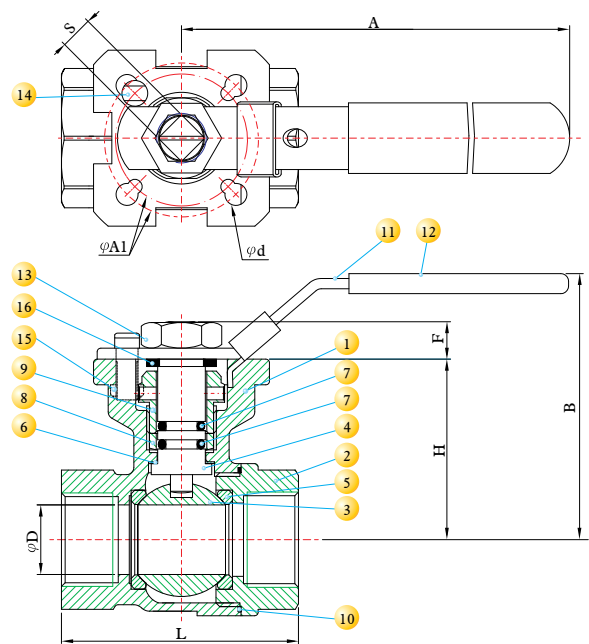


DESIGN FEATURES:

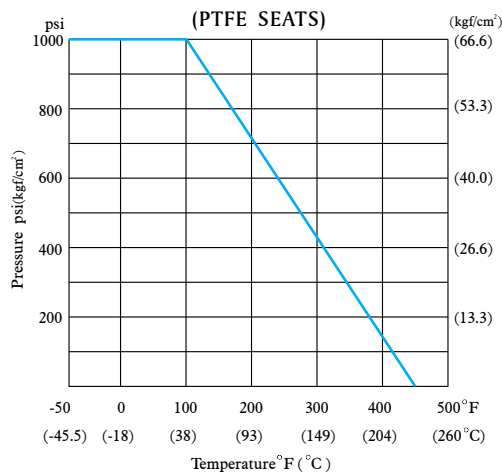
- Steam rating: 150 psi WSP
- WORKING PRESSURE : 1000 PSI
- INVESTMENT CASTING BODY & CAP
- BLOW - OUT - PROOF STEM
- ADJUSTABLE STEM PACKING
- HANDLE WITH LOCKING DEVICE
- FULL ISO-5211 PAD FOR DIRECT MOUNT AUTOMATION
- TEST STANDARD: API 598
- Vacuum Service to 29" Hg
- TEMPERATURE RATING : -45.5°C (-50°F) to 232°C (450°F)

MATERIALS LIST

NO.	PART NAME	MATERIAL	QTY
1	BODY	ASTM A351 Gr.CF8M	1
2	CAP	ASTM A351 Gr.CF8M	1
3	BALL	ASTM A351 Gr.CF8M	1
4	STEM	ASTM A276 Gr.316	1
5	SEAT	PTFE	2
6	THRUST WASHER	PTFE	1
7	O-RING	VITON	2
8	GLAND PACKING	PTFE	1
9	GLAND	ASTM A351 Gr.CF8M	1
10	GASKET	PTFE	1
11	HANDLE	SS304	1
12	HANDLE SLEEVE	VINYL GRIP	1
13	HANDLE NUT	SS304	1
14	PIN	SS304	1
15	LOCK NUT	SS304	1
16	WASHER	SS304	1



PRESSURE TEMPERATURE RATINGS



DIMENSIONS

SIZE	A		B		D		L		F		H		S		d		A1		ISO 5211	Cv Factor	Weight		
	inch	mm	inch	mm	inch	mm	inch	mm	inch	mm	inch	mm	inch	mm	inch	mm	Kg	Lb					
1/2"	15	4.37	111	2.98	75.75	0.59	15.0	2.70	68.5	0.37	9.5	1.59	40.5	0.35	9	0.24	6.0	1.42 / 1.65	36 / 42	F03 / F04	21	0.50	1.10
3/4"	20	4.37	111	3.07	78.00	0.75	19.0	2.85	72.5	0.41	10.5	1.84	46.8	0.35	9	0.24	6.0	1.42 / 1.65	36 / 42	F03 / F04	33	0.65	1.43
1"	25	5.00	127	3.32	84.25	0.98	25.0	3.44	87.5	0.42	10.7	2.03	51.5	0.43	11	0.240/0.26	6/6.5	1.65 / 1.97	42 / 50	F04 / F05	55	0.93	2.05
1 1/4"	32	5.00	127	3.51	89.25	1.26	32.0	3.88	98.5	0.41	10.5	2.22	56.3	0.43	11	0.240/0.26	6/6.5	1.65 / 1.97	42 / 50	F04 / F05	90	1.50	3.30
1 1/2"	40	5.87	149	4.47	113.5	1.50	38.0	4.23	107.5	0.58	14.7	2.80	71.0	0.55	14	0.260/0.33	6.5/8.5	1.97 / 2.76	50 / 70	F05 / F07	150	2.20	4.85
2"	50	5.87	149	5.01	127.25	1.97	50.0	4.78	121.4	0.59	15.0	3.17	80.5	0.55	14	0.260/0.33	6.5/8.5	1.97 / 2.76	50 / 70	F05 / F07	215	3.40	7.49

