

# TC-WL-BR, TC-WT-BR VALVE

## 3 WAY FULL PORT BRONZE 600/400 WOG BALL VALVE, THREADED "L" PORT, "T" PORT (with ISO 5211 direct mount pad)



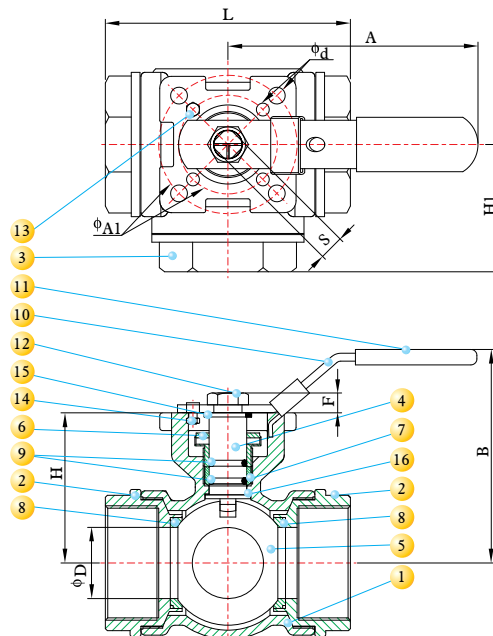
### DESIGN FEATURES:

- Steam rating: 150 psi WSP
- WORKING PRESSURE: 1/2"~1 1/2" : 600 PSI  
1 1/2"~2" : 400 PSI
- 1/2"~1 1/2": FULL PORT  
2" : STANDARD PORT
- STEM & BALL: BRASS
- WITH ISO-5211 DIRECT MOUNTING OF ACTUATORS
- TFE® SEATS AND SEALS
- VITON® BODY O-RINGS
- TRIPLE STEM SEAL DESIGN
- BLOW-OUT PROOF STEM
- ADJUSTABLE STEAM PACKING
- TEMPERATURE RATING: -18 C (0°F) TO 204°C (400°F)
- Vacuum Service to 29" Hg

### MATERIALS LIST

NO.	PART NAME	MATERIAL	QTY
1	BODY	BRONZE C84400	1
2	CAP1	BRONZE C84400	2
3	CAP2	BRONZE C84400	1
4	STEM	BRASS C36000	1
5	BALL	BRASS-CHROME PLATED	1
6	PACKING NUT	BRASS C36000	1
7	GLAND PACKING	PTFE	1
8	SEAT	PTFE	4
9	O-RING	VITON	2
10	HANDLE	SUS304	1
11	HANDLE COVER	PVC	1
12	HANDLE NUT	STEEL	1
13	LOCK PIN	BRASS C36000	1
14	NUT	BRASS C36000	1
15	WASHER	SS304	1
16	THRUST WASHER	PTFE	1

POSITION	A	B	C	D
L PORT				
T PORT				



### DIMENSIONS

SIZE		A		B		D		L		F		H		S		d		A1		ISO 5211	Cv	Weight	
inch	mm	inch	mm	inch	mm	inch	mm	inch	mm	inch	mm	inch	mm	inch	mm	inch	mm	inch	mm	Factor	Kg	Lb	
1/2"	15	4.37	111	2.83	72.0	0.59	15.0	2.92	74.2	0.37	9.5	1.59	40.3	0.35	9	0.24/0.26	6/6.5	1.42 / 1.65	36 / 42	F03 / F04	21	0.69	1.52
3/4"	20	4.37	111	3.13	79.5	0.75	19.0	3.32	84.4	0.43	11.0	1.91	48.5	0.35	9	0.24/0.26	6/6.5	1.42 / 1.65	36 / 42	F03 / F04	33	0.94	2.07
1"	25	5.00	127	3.46	88.0	0.94	24.0	3.83	97.4	0.39	10.0	2.07	52.5	0.43	11	0.24/0.26	6/6.5	1.65 / 1.65	42 / 50	F04 / F05	53	1.50	3.30
1 1/4"	32	5.00	127	3.71	94.3	1.22	31.0	4.44	112.8	0.39	10.0	2.26	57.6	0.43	11	0.24/0.26	6/6.5	1.65 / 1.65	42 / 50	F04 / F05	90	2.14	4.71
1 1/2"	40	5.87	149	4.57	116.0	1.42	36.0	4.86	123.5	0.57	14.5	2.95	75.0	0.55	14	0.26/0.33	6.5/8.5	1.97 / 2.76	50 / 70	F05 / F07	148	3.50	7.71
2"	50	5.87	149	4.57	116.0	1.42	36.0	5.02	127.6	0.57	14.5	2.95	75.0	0.55	14	0.26/0.33	6.5/8.5	1.97 / 2.76	50 / 70	F05 / F07	215	3.35	7.38

### PRESSURE TEMPERATURE RATINGS

