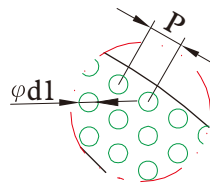


## 150# R.F. FLANGED Y STRAINERS STAINLESS STEEL



### DESIGN FEATURES:

- Body: ASTM A351 Gr.CF8M
- Screen: SS304
- Gasket: PTFE
- Flange Dimensions: ANSI B16.5 150 #
- TEST STANDARD: API 598



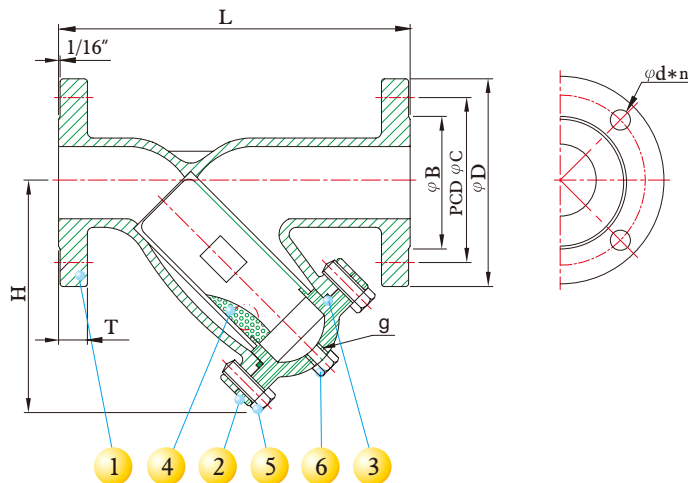
Screen Detail

SIZE		d1		P	
inch	mm	inch	mm	inch	mm
2"	50	0.04	1	0.08	2
3"	80	0.04	1	0.08	2
4"	100	0.04	1	0.08	2
6"	150	0.12	3	0.20	5

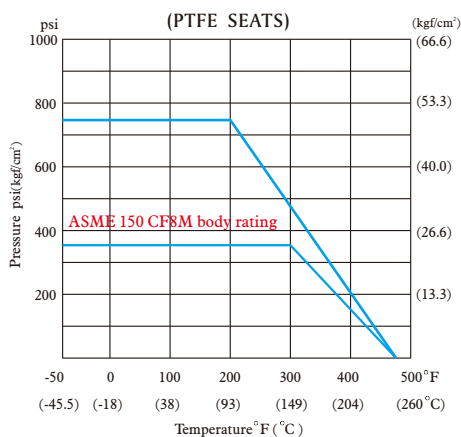
### MATERIALS LIST

NO.	PART NAME	MATERIAL	QTY
1	BODY	ASTM A351 Gr.CF8M	1
2	CAP	ASTM A351 Gr.CF8M	1
3	GASKET	PTFE	1
4	SCREEN	* SS304	1
5	BOLT	ASTM A193 B8	4~8
6	BLOW OFF PLUG	ASTM A351 Gr.CF8M	1

\* 316 SCREENS AVAILABLE UPON REQUEST



### PRESSURE TEMPERATURE RATINGS



### DIMENSIONS

SIZE		B		C		D		d		H		L		n	T		g	Cv Factor	Weight	
inch	mm	inch	mm	inch	mm	inch	mm	inch	mm	inch	mm	inch	mm		inch	mm			Kg	Lb
2"	50	3.62	92	4.74	120.5	5.98	152	0.75	19	5.75	146	8.58	218	4	0.63	15.9	1/2"	500	12	26.5
2 1/2"	80	4.13	105	5.49	139.5	7.00	178	0.75	19	7.09	180	10.28	261	4	0.69	17.5	3/4"	850	17	37.5
3"	80	5.00	127	6.00	152.5	7.48	190	0.75	19	7.87	200	11.61	295	8	0.75	19.1	1"	1150	20	44.1
4"	100	6.18	157	7.50	190.5	9.02	229	0.75	19	9.45	240	14.21	361	8	0.94	23.9	1 1/2"	2120	34	75.0
6"	150	8.50	216	9.51	241.5	10.98	279	0.87	22	13.39	340	18.46	469	8	1.00	25.4	2"	5100	65	143.3

