



GEA Breconcherry Cleaning Technology
Business Line Cleaning Technology

Catalog 2014

Publication date: 01 / 01 / 2014

The article numbers and technical specifications are up to date. The publication of specifications, technical data and information in written or electronic form does not release the user from the responsibility of checking for themselves all products delivered by us for suitability for the application(s) intended. These may be subject to change without prior notification. Mistakes and printing errors excepted – we assume no liability for the correctness of specifications given. The general terms and conditions of delivery apply.

All rights reserved - copyright on all contents:

GEA Breconcherry

GEA Mechanical Equipment UK Ltd

Unit 4 Porthouse Business Centre,

Tenbury Road, Bromyard, Herefordshire, HR7 4FL

Registered office: Milton Keynes, Place of Registration: London, Reg. No. 611624

Management Board: Chairman Markus Hüllmann

Managing Director: Barry Dumble

VAT ID number: GB 792406809

Table of contents for cleaning components and accessories	Pages
Introduction	5 - 9
Product selection tables	10 - 13
Resistance of sealing materials	14
Orbital cleaner - Twister	15
Orbital cleaner - Typhoon	16
Orbital cleaner - Tempest	17
Orbital cleaner - Tornado	18
Orbital cleaner - Tornado 4	19
Orbital cleaner - TMC 45/85	20 - 21
Rotating cleaner - Torrent	22
Rotating cleaner - Rotating Jet Cleaners 2E	23 - 27
Rotating cleaner - Turbo SSB 40, 75, 125	28 - 30
Rotating cleaner - Sanitor	31
Rotating cleaner - Turbodisc 25, 75, 100, 150	32 - 35
Rotating cleaner - Chemidisc 25, 75, 100, 150	36 - 39
Rotating cleaner - Torus 50, 75, 100	40 - 42
Rotating cleaner - Chemitorus 50, 75	43 - 44
Rotating cleaner - Clipdisc 100, 150	45 - 46
Static cleaner - Spray balls	47 - 53
Retractor - In-Line Sprayer IS 25	54 - 56
Retractor - MR1 / MR2	57 - 58
Monitoring sensor - SMW 100	59
Monitoring system - Veri-Clean	60
Accessories	61 - 62
Accessories, cleaning lance	63 - 65
Abbreviations and Terms	66
Cleaner inquiries - checklist	67



Whether it's dairy, beer, viscous food-stuffs or fine-chemical products – product quality and profitability are what counts in the end. This is precisely what the GEA Flow Components business unit stands for – it's a specialist with many years of experience for everything that flows.

The GEA Group

The GEA Group, with operations worldwide, is divided into six segments. One of these is GEA Mechanical Equipment, which consists of the three business units: GEA Flow Components, GEA Homogenizers and GEA Mechanical Separation.

The GEA Flow Components business unit

As a technology leader, the GEA Flow Components business unit develops and produces well-engineered process components and services for smooth production processes in the treatment of liquid products.

The business unit is comprised of GEA Tuchenhausen in Germany, GEA Aseptomag in Switzerland and GEA Breconcherry in Great Britain as well as further sites in France, Poland, China, India, Canada and the USA.



Business Unit GEA Flow Components

Four business lines – for everything that flows

The product range of the GEA Flow Components business unit includes hygienic and aseptic valve technology, hygienic pumps and cleaning technology, particularly for the brewing, beverages, dairy and food industries, as well as for the pharmaceutical, health care, biotechnology and fine chemicals industries.

Hygienic valves and components from GEA Tuchenhagen form the core component of matrix-piped process plants. For aseptic processes, which require components with the highest levels of sterility, GEA Aseptomag produces aseptic valves and systems that also meet specific requirements.

The hygienic pump range from GEA Tuchenhagen also belongs to the business unit's range of solutions. This includes non-self priming and self-priming centrifugal pumps, as well as rotary piston pumps. Rounding off this range of solutions, GEA Breconcherry offers cleaning technology especially developed for the sustainable conservation of valuable resources.

The GEA Flow Components business unit focuses on major process solutions for the food processing, pharmaceutical and biotechnology manufacturing industries with leading hygienic and aseptic valve technology, pumps and cleaning technology.



Hygienic Valve Technology

GEA Tuchenhagen



Hygienic Pumps

GEA Tuchenhagen



Cleaning Technology

GEA Breconcherry



Aseptic Valve Technology

GEA Aseptomag



GEA Breconcherry cleaning technology – the solution for every cleaning process

Our cleaning equipment has been developed for sustainable practice, with special emphasis on saving valuable resources in the cleaning process.

Whether using orbital, rotary or static, our cleaners achieve the best cleaning results in multiple industry sectors.

Incorporating our systems into your production can help you to reduce production downtime, waste disposal costs, and water and detergent consumption.

We offer economical, flexible and service-oriented solutions:

Economical

- Reduction in consumption of energy, water, and cleaning agents
- Time and labor required for cleaning is minimized

Flexible

- Diverse range of orbital, rotating, and static cleaners
- Customized cleaning solutions for many different kinds of applications and tank sizes
- Various different spray patterns
- ATEX-exempt and FDA-compliant
- Different cleaning times possible

Service-oriented

- Tailored Engineering Support
- Digital tools (e.g. 3D models)
- Easy-to-maintain
- Onsite cleaning tests

Examples of applications and industries:

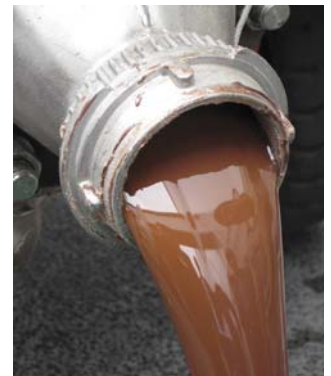
Applications:

- Process vessels
- Storage tanks
- Lauter tuns
- Milk tanks
- Spray dryers
- Fermenters
- Silos
- Mixers
- Batch blenders
- Shipping containers
- Tanker trucks
- IBCs
- Container wash tunnels
- etc.



Industries:

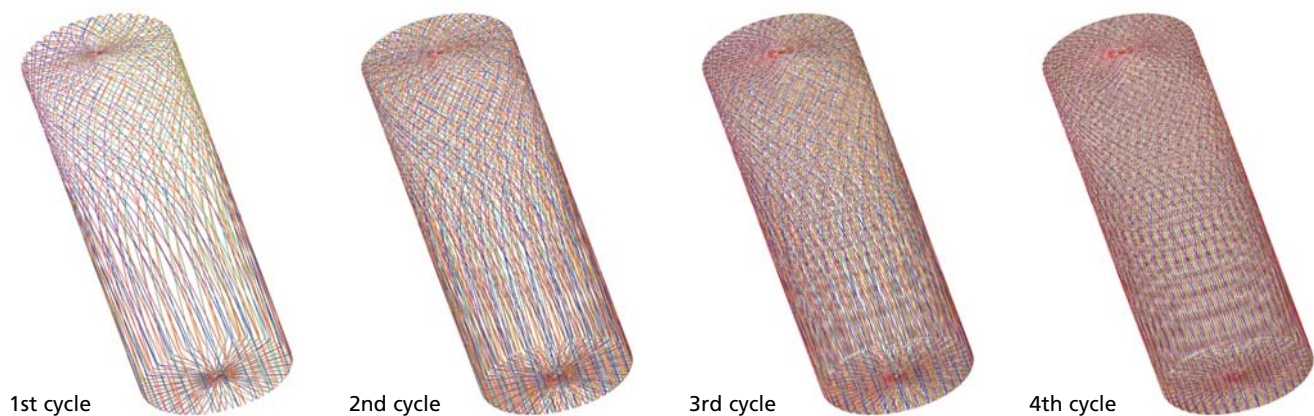
- Brewing and beverage industries
- Dairy and food industries
- Cosmetics industry
- Pharmaceuticals industry
- Fine chemicals industry
- Biotechnology industry
- Chemicals industry
- Paint industry
- etc.



Orbital cleaners

Orbital cleaners work on the basis of two rotating axes, one horizontal and one vertical, as shown in the illustration.

- Hygienic design
- Ball bearing free (exception TMC)
- Slim, compact design
- Intensive cleaning with targeted jets
- Long life
- Easy-to-maintain
- Driven by the cleaning medium (exception TMC)
- Low number of components (orbital cleaners Typhoon, Tempest, Tornado all use the same spare parts)
- Reproducible cleaning by monitoring of the rotation with sensor SMW 100 or Veri-Clean (optional)



Rotating jet cleaner

The proven cleaning method of the jet cleaner achieves optimum cleaning results with powerful, slowly rotating fan-spray jets.

- Operates with minimal drive pressure
- Driven using fluid transmission
- Functionally robust
- Easy to maintain
- Integrated cleaning lance
- Various possible spray patterns using different nozzle arrangements on the spray head
- Long life due to wear-resistant components
- For reproducible cleaning, the rotation monitoring option is recommended



Rotating cleaners

The optimum cleaning effect of the rotating cleaners is produced by targeted flat jets or fast moving high impact droplets

- Hygienic design
- Ball bearing free
- Low number of components



Spray balls

Spray balls as static cleaners are designed for flush cleaning with a high flow rate, thus providing powerful flushing at low pressure.

- Low capital outlay
- No wearing parts
- Various possible spray patterns, materials, and surfaces
- High flow rates



Retractors In-Line Sprayer / MR1/MR2

The In-Line Sprayer has an extendable spray head that only extends into the product space during cleaning – which is especially useful for cleaning tanks with moving fixtures (such as agitators, scrapers, etc.) and for large pipes. After cleaning, the spray head retracts into its inoperative position.

- Savings on cleaning agents due to targeted cleaning
- Demonstrable process reliability and functional reliability
- Range of seal materials




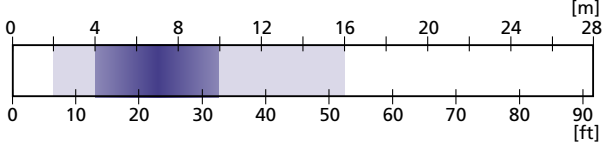
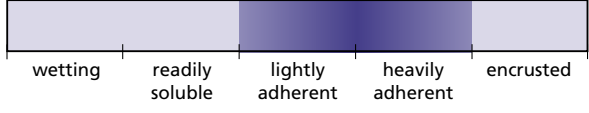

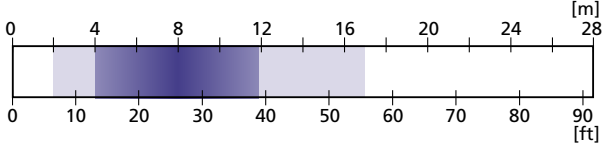
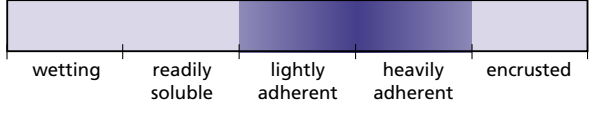

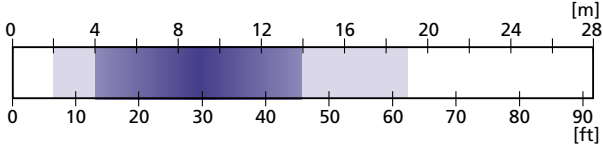
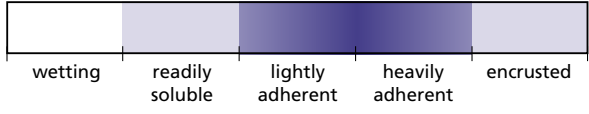

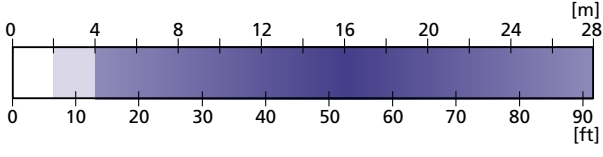
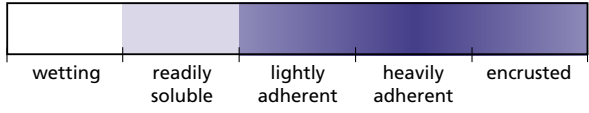

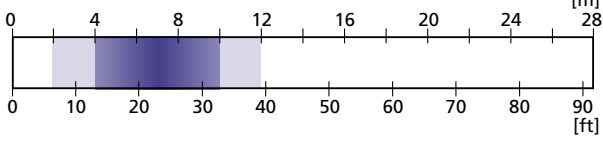
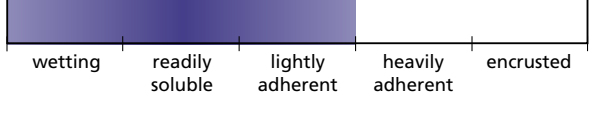

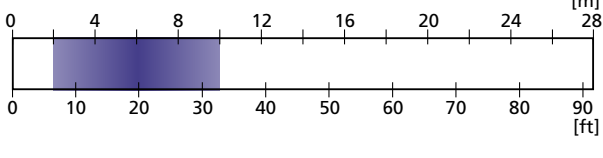
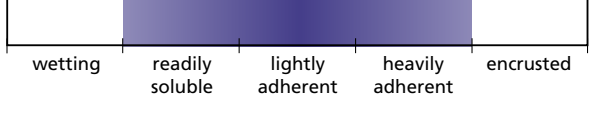

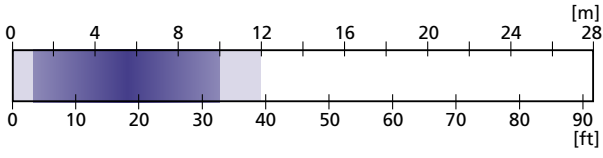
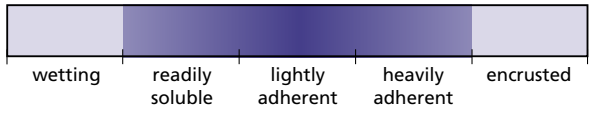
In-Line Sprayer



Retractor MR 2

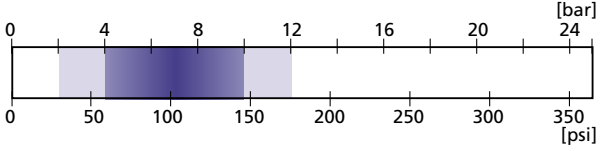
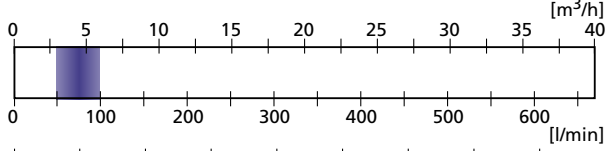

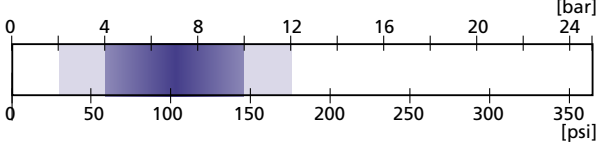
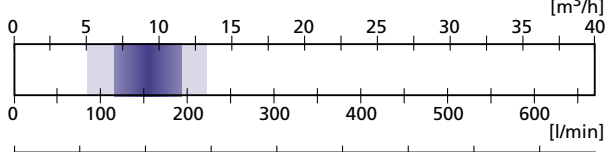

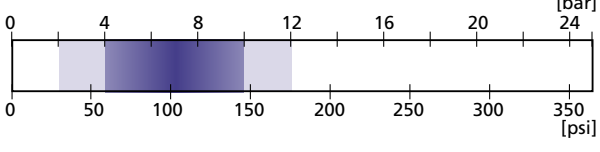
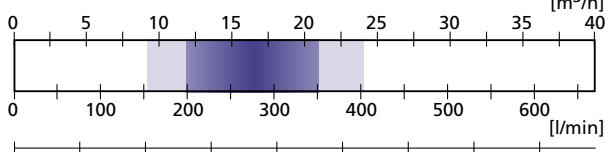

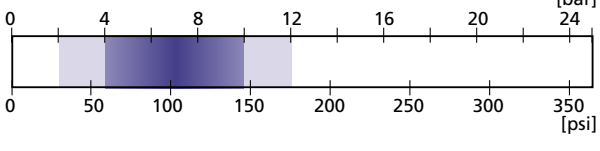
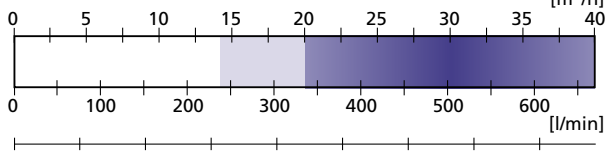

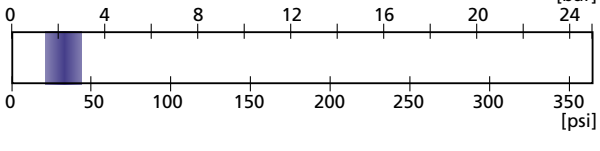
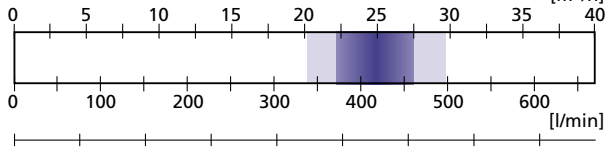

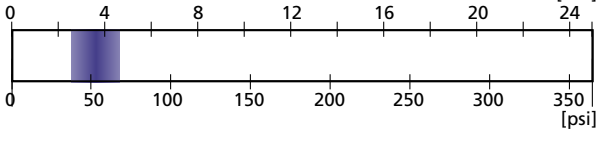
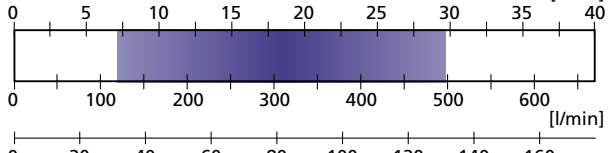

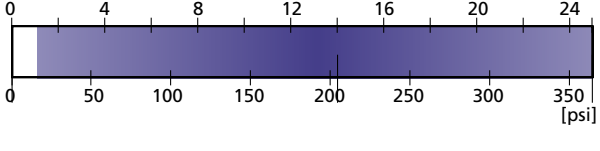
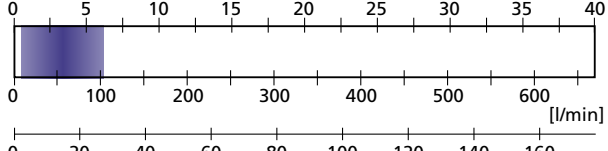

GEA Breconcherry

Cleaning components

	Recommended cleaning diameter	Level of soiling
 <p>Twister</p>		
 <p>Typhoon</p>		
 <p>Tempest</p>		
 <p>Tornado / 4</p>		
 <p>Torrent</p>		
 <p>Jet cleaners</p>		
 <p>TMC 45/85</p>		


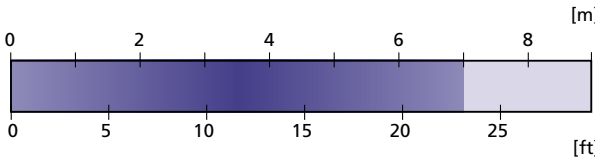
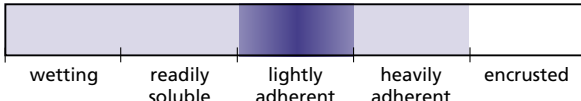

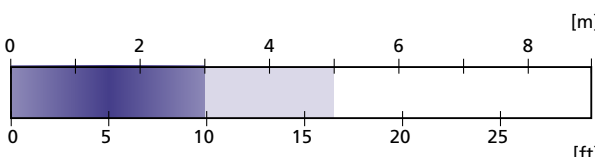


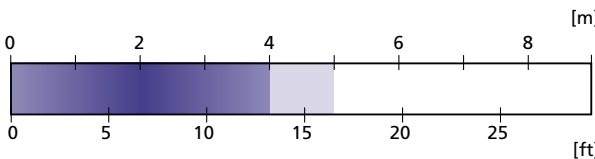
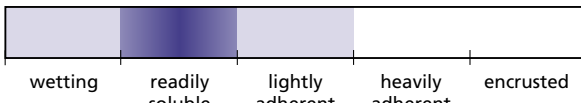

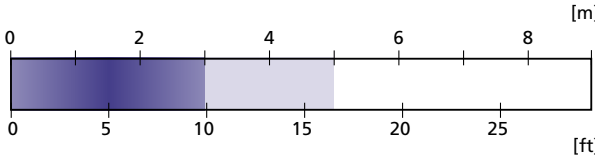
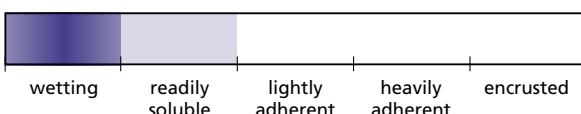

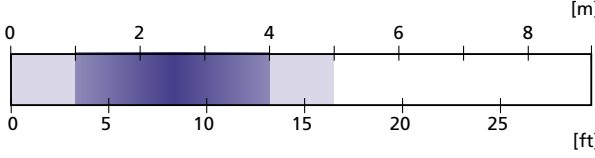
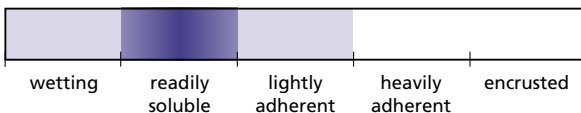

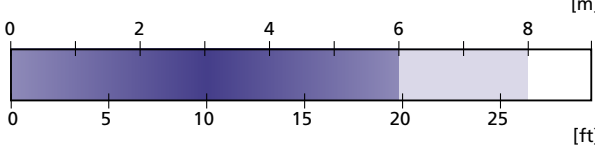
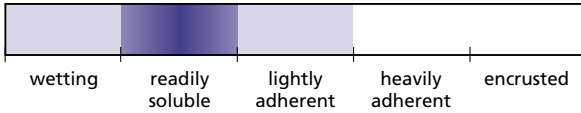
GEA Breconcherry

Cleaning components

Recommended working pressure	Flow rate	
 <p>0 4 8 12 16 20 24 [bar] 0 50 100 150 200 250 300 350 [psi]</p>	 <p>0 5 10 15 20 25 30 35 40 [m³/h] 0 100 200 300 400 500 600 [l/min] 0 20 40 60 80 100 120 140 160 [USGPM]</p>	 Twister
 <p>0 4 8 12 16 20 24 [bar] 0 50 100 150 200 250 300 350 [psi]</p>	 <p>0 5 10 15 20 25 30 35 40 [m³/h] 0 100 200 300 400 500 600 [l/min] 0 20 40 60 80 100 120 140 160 [USGPM]</p>	 Typhoon
 <p>0 4 8 12 16 20 24 [bar] 0 50 100 150 200 250 300 350 [psi]</p>	 <p>0 5 10 15 20 25 30 35 40 [m³/h] 0 100 200 300 400 500 600 [l/min] 0 20 40 60 80 100 120 140 160 [USGPM]</p>	 Tempest
 <p>0 4 8 12 16 20 24 [bar] 0 50 100 150 200 250 300 350 [psi]</p>	<p>up to 47.4 m³/h, 790 l/min, 209 USGPM</p>  <p>0 5 10 15 20 25 30 35 40 [m³/h] 0 100 200 300 400 500 600 [l/min] 0 20 40 60 80 100 120 140 160 [USGPM]</p>	 Tornado / 4
 <p>0 4 8 12 16 20 24 [bar] 0 50 100 150 200 250 300 350 [psi]</p>	 <p>0 5 10 15 20 25 30 35 40 [m³/h] 0 100 200 300 400 500 600 [l/min] 0 20 40 60 80 100 120 140 160 [USGPM]</p>	 Torrent
 <p>0 4 8 12 16 20 24 [bar] 0 50 100 150 200 250 300 350 [psi]</p>	 <p>0 5 10 15 20 25 30 35 40 [m³/h] 0 100 200 300 400 500 600 [l/min] 0 20 40 60 80 100 120 140 160 [USGPM]</p>	 Jet cleaners
 <p>0 4 8 12 16 20 24 [bar] 0 50 100 150 200 250 300 350 [psi]</p>	 <p>0 5 10 15 20 25 30 35 40 [m³/h] 0 100 200 300 400 500 600 [l/min] 0 20 40 60 80 100 120 140 160 [USGPM]</p>	 TMC 45/85

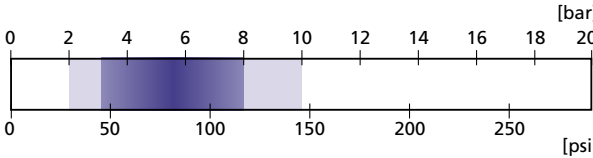
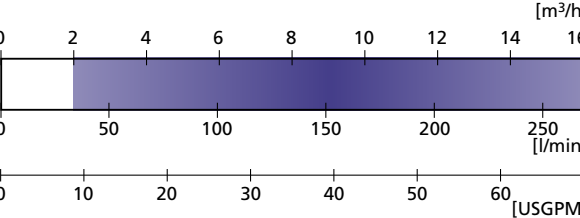

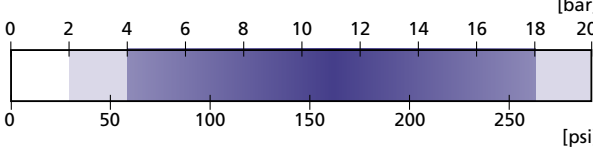
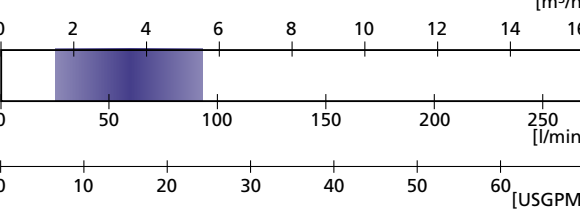

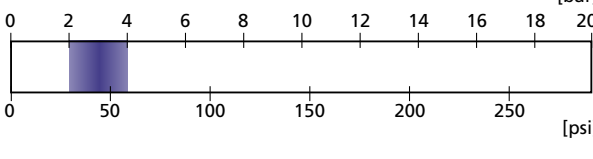
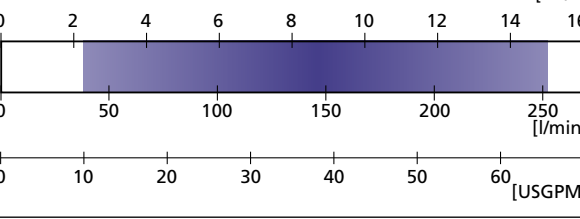

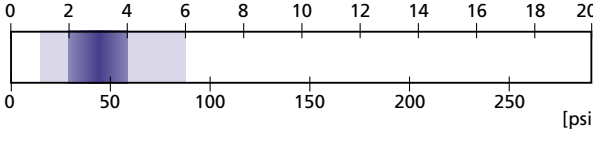
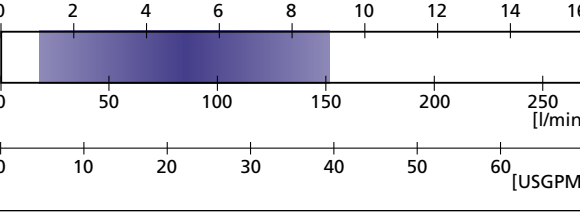

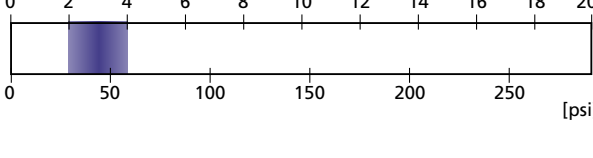
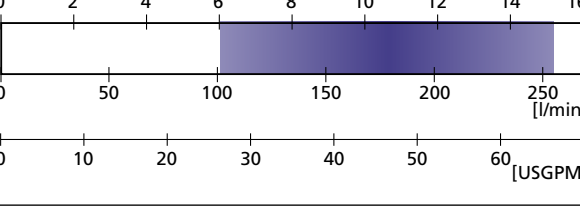

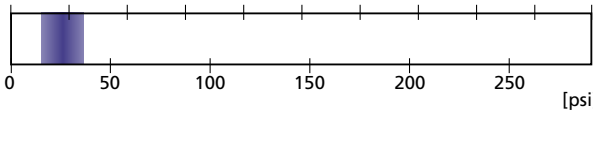
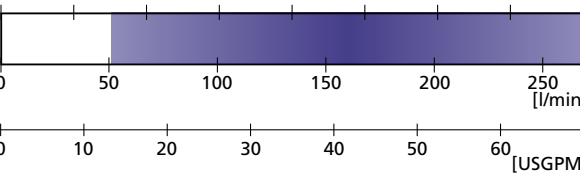

GEA Breconcherry

Cleaning components

	Recommended cleaning diameter	Wet of soiling
 <p>Turbo SSB</p>		
 <p>Sanitor</p>		
 <p>Turbodisc/ Chemidisc</p>		
 <p>Torus/ Chemitorus</p>		
 <p>Clipdisc</p>		
 <p>Spray ball</p>		

GEA Breconcherry

Cleaning components

Recommended working pressure	Flow rate	
	<p>up to 24.5 m³/h</p> 	 <p>Turbo SSB</p>
		 <p>Sanitor</p>
		 <p>Turbodisc/ Chemidisc</p>
		 <p>Torus/ Chemitorus</p>
		 <p>Clipdisc</p>
	<p>up to 67 m³/h</p> 	 <p>Spray ball</p>

Resistance of sealing materials depending on type and temperature of the medium conveyed.

General resistance comparison of product wetted seals

Resistance: A = good resistance
 B = reduced service live
 C = not resistant

Sealing material		EPDM	FKM	FFKM	VMQ	PTFE	C-PTFE
general operating temperature		-40...+135°C *	-10...+200°C *	-10...+230°C *	-50...+200°C *	-40...+260°C *	-40...+260°C *
Medium	Temp.						
Caustics up to 3%	to 80°C	A	B	A	B	A	A
Caustics up to 5%	to 40°C	A	B	A	B	A	A
Caustics up to 5%	to 80°C	A	C	A	B	A	A
Caustics more than 5%		B	C	A	B	A	A
Anorganic acids up to 3% **	to 80°C	A	A	A	B	A	A
Anorganic acids up to 5% **	to 80°C	B	A	A	B	A	A
Anorganic acids up to 5% **	to 100°C	C	A	A	B	A	A
Water	to 80°C	A	A	A	A	A	A
Steam	to 135°C	A	B	B	B	A	A
Steam, approx. 30 min	to 150°C	A	B	B	B	A	A
Fuels/hydrocarbons		C	A	A	C	A	A
Product with a fat content of max. 35%		A	A	A	B	A	A
Product with a fat content more than 35%		C	A	A	B	A	A
Oils		C	A	A	B	A	A

Other applications on request

* = Depending on installation circumstances

** = Anorganic acids such as nitric or sulfid acid

This overview of sealing material is based on manufacturer's information not considering the operating conditions.

The contact time can negatively affect the service life of the seals.

The sealing materials comply with the regulations of FDA 21 CFR 177.2600 or FDA 21 CFR 177.1550.

Diagrams and Cycle Times

*All Diagrams and cycle times are based on a cleaning medium of:
 density 1 kg/dm³, viscosity 1 mm²/s, temperature 20 °C, tolerance ±10%*



- Powerful compact jetting cleaner
- Low flow rate
- Fits through 100 mm / 4 inch diameter hole
- High spray dwell time
- Similar to Typhoon, Tempest, Tornado for maintenance purposes

Approx. cycle times

Pressure	Nozzles Ø 3 mm	Nozzles Ø 4 mm
4 bar	2 min	3 min 30 s
6 bar	1 min 45 s	2 min 45 s
8 bar	1 min 30 s	2 min 15 s
10 bar	1 min 15 s	2 min

Recommended

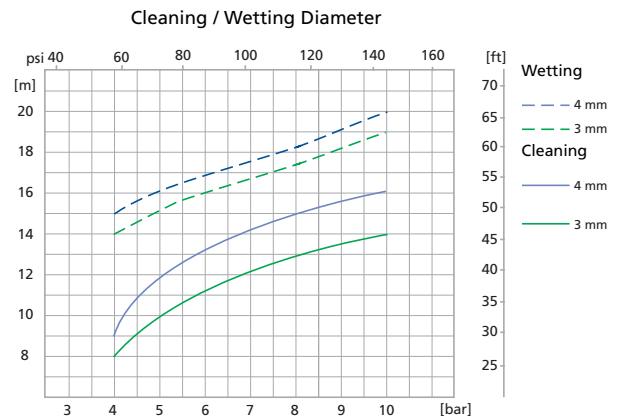
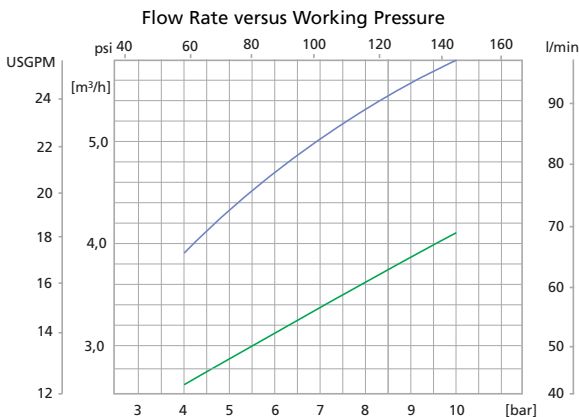
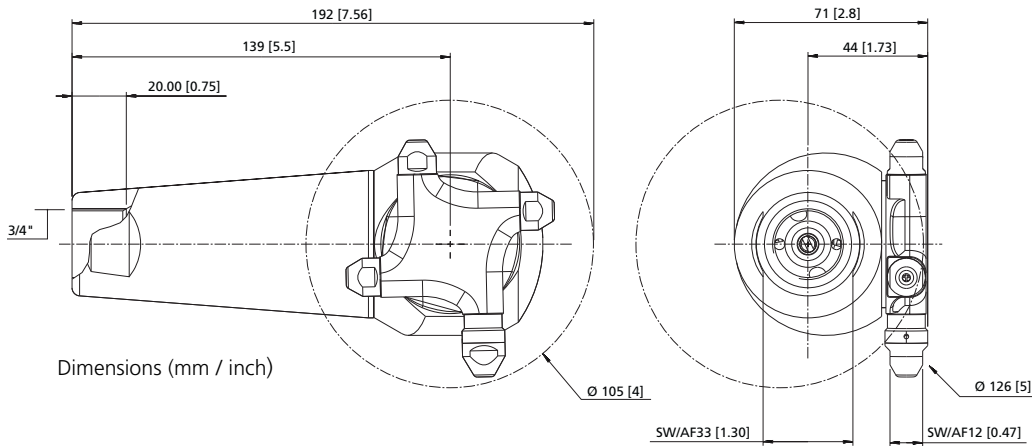
working pressure:	4 - 10 bar (58 - 145 psi)
Cleaning diameter:	max. 16 m (52 ft)
Flow rate:	2.7 - 5.8 m ³ /h (45 - 97 l/min / 11.9 - 25.6 USgpm)
Spray angle:	360°
Operating temperature:	max. 95 °C (203 °F)
Ambient temperature:	max. 140 °C (284 °F), 30 min
Insertion opening:	min. Ø 100 mm (3.94 inch)
Materials:	stainless steel 316L (1.4404), C-PTFE or PTFE, C-PEEK
Weight:	approx. 2.0 kg (4.4 lbs)
Preferred mounting position:	any

Version 1

Version 1	Part number
3/4" BSP / 3 mm nozzles / C-PTFE ²	4660-4990-111
3/4" BSP / 4 mm nozzles / C-PTFE ²	4660-4990-121
3/4" BSP / 3 mm nozzles / PTFE	4660-4990-110
3/4" BSP / 4 mm nozzles / PTFE	4660-4990-120
3/4" NPT / 3 mm nozzles / C-PTFE ²	4660-4990-112
3/4" NPT / 4 mm nozzles / C-PTFE ²	4660-4990-122
3/4" NPT / 3 mm nozzles / PTFE	4660-4990-113
3/4" NPT / 4 mm nozzles / PTFE	4660-4990-123

¹ optional with Pin Fix connection

² suitable for use in potentially explosive atmospheres



GEA Breconcherry

Orbital cleaner - Typhoon



- Self-cleaning
- High spray dwell time
- Identical to Tempest & Tornado for maintenance purposes

Approx. cycle times

Pressure	Nozzles Ø 4.5 mm	Nozzles Ø 6 mm
4 bar	4 min 45 s	5 min 45 s
6 bar	4 min	4 min 30 s
8 bar	3 min 30 s	4 min
10 bar	3 min	3 min 30 s

Recommended

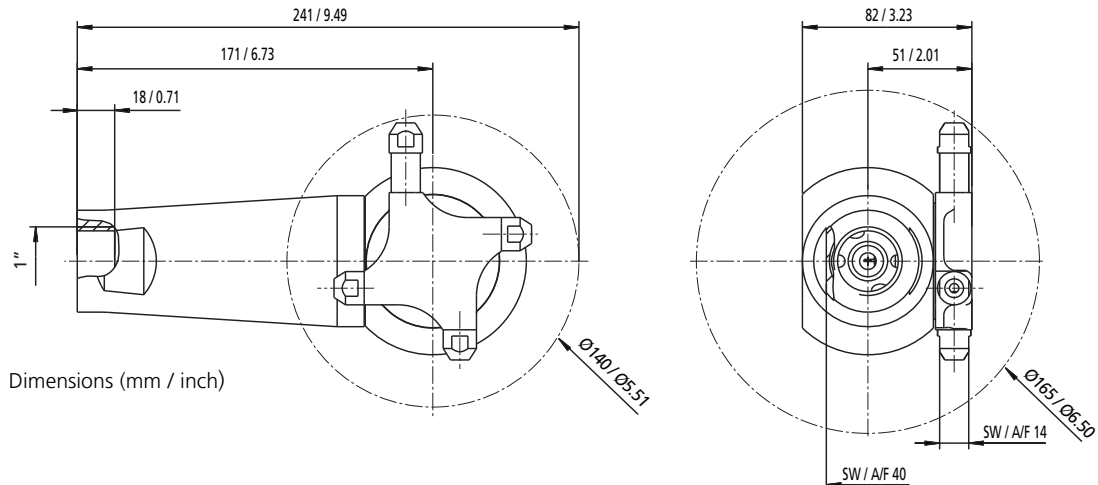
working pressure:	4 - 10 bar (58 - 145 psi)
Cleaning diameter:	max. 17 m (55.8 ft)
Flow rate:	5.6 - 10.5 m ³ /h (93 - 175 l/min / 24.7 - 46.2 USgpm)
Spray angle:	360°
Operating temperature:	max. 95 °C (203 °F)
Ambient temperature:	max. 140 °C (284 °F), 30 min
Insertion opening:	min. Ø 130 mm (5.12 inch)
Materials:	stainless steel 316L (1.4404), C-PTFE or PTFE, C-PEEK
Weight:	approx. 2.8 kg (6.2 lbs)
Preferred mounting position:	any

Version 1

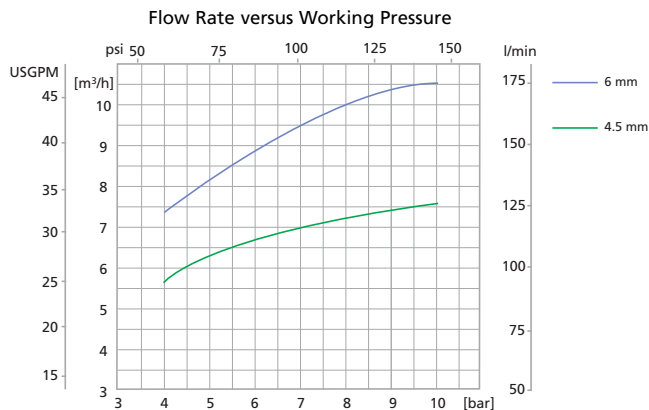
Version 1	Part number
1" BSP / 4.5 mm nozzles / C-PTFE ²	4660-4969-117
1" BSP / 6 mm nozzles / C-PTFE ²	4660-4969-118
1" BSP / 4.5 mm nozzles / PTFE	4660-4969-119
1" BSP / 6 mm nozzles / PTFE	4660-4969-120
1" NPT / 4.5 mm nozzles / C-PTFE ²	4660-4969-121
1" NPT / 6 mm nozzles / C-PTFE ²	4660-4969-122
1" NPT / 4.5 mm nozzles / PTFE	4660-4969-123
1" NPT / 6 mm nozzles / PTFE	4660-4969-124

¹ optional with Pin Fix connection

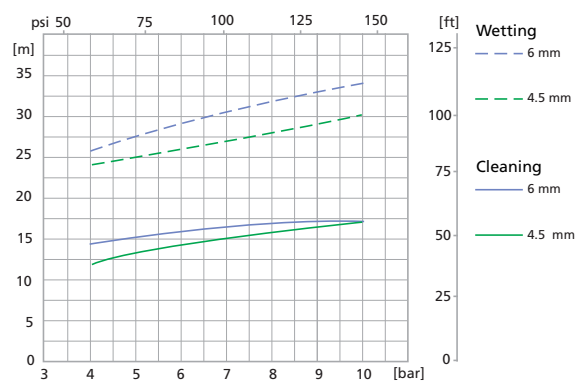
² suitable for use in potentially explosive atmospheres



Dimensions (mm / inch)



Cleaning / Wetting Diameter



GEA Breconcherry

Orbital cleaner - Tempest



- Self-cleaning
- High spray dwell time
- Identical to Tornado & Typhoon for maintenance purposes

Approx. cycle times

Pressure	Nozzles Ø 7 mm	Nozzles Ø 8 mm
4 bar	9 min 45 s	8 min
6 bar	7 min 45 s	6 min 30 s
8 bar	6 min 45 s	5 min 30 s
10 bar	5 min 45 s	5 min

Recommended

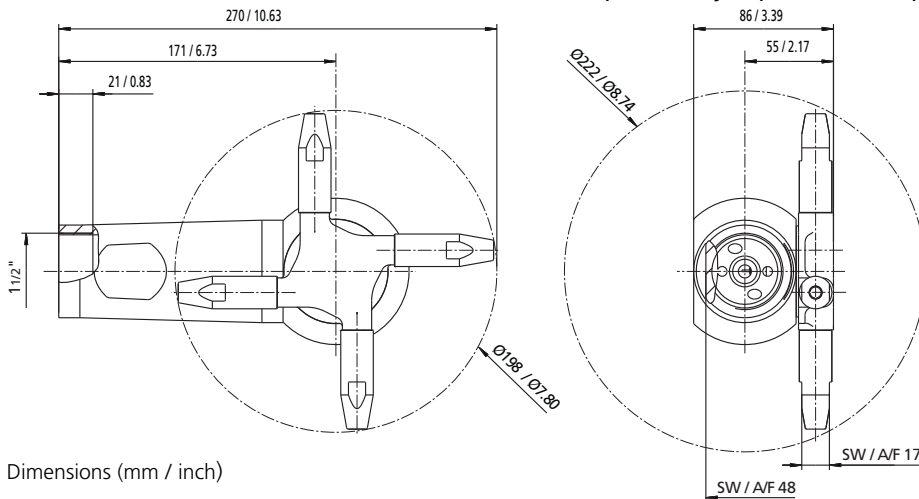
working pressure:	4 - 10 bar (58 - 145 psi)
Cleaning diameter:	max. 19 m (62 ft)
Flow rate:	12 - 23.4 m ³ /h (200 - 390 l/min / 53 - 103 USgpm)
Spray angle:	360°
Operating temperature:	max. 95 °C (203 °F)
Ambient temperature:	max. 140 °C (284 °F), 30 min
Insertion opening:	min. Ø 210 mm (8.27 inch)
Materials:	stainless steel 316L (1.4404), C-PTFE or PTFE, C-PEEK
Weight:	approx. 3.9 kg (8.6 lbs)
Preferred mounting position:	any

Version 1

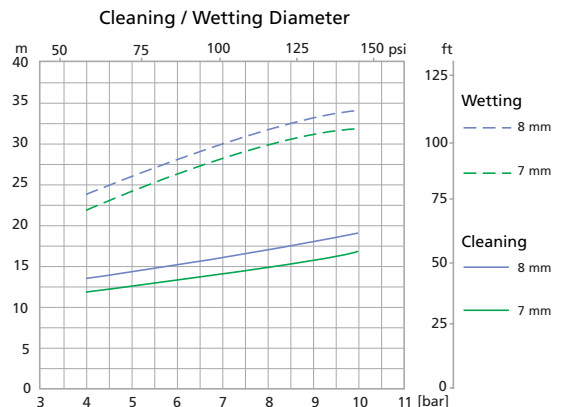
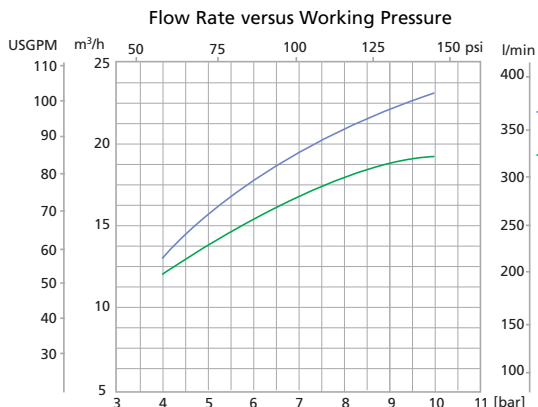
Version 1	Part number
1 1/2" BSP / 7 mm nozzles / C-PTFE ²	4660-4968-117
1 1/2" BSP / 8 mm nozzles / C-PTFE ²	4660-4968-118
1 1/2" BSP / 7 mm nozzles / PTFE	4660-4968-119
1 1/2" BSP / 8 mm nozzles / PTFE	4660-4968-120
1 1/2" NPT / 7 mm nozzles / C-PTFE ²	4660-4968-121
1 1/2" NPT / 8 mm nozzles / C-PTFE ²	4660-4968-122
1 1/2" NPT / 7 mm nozzles / PTFE	4660-4968-123
1 1/2" NPT / 8 mm nozzles / PTFE	4660-4968-124

¹ optional with Pin Fix connection

² suitable for use in potentially explosive atmospheres



Dimensions (mm / inch)



GEA Breconcherry

Orbital cleaner - Tornado



- Self-cleaning
- High spray dwell time
- Identical to Tempest & Typhoon for maintenance purpose

Recommended

working pressure:	4 - 10 bar (58 - 145 psi)
Cleaning diameter:	max. 27 m (88.6 ft)
Flow rate:	14.6 - 22.7 m ³ /h (243 - 378 l/min / 64.3 - 99.9 USgpm)
Spray angle:	360°
Operating temperature:	max. 95 °C (203 °F)
Ambient temperature:	max. 140 °C (284 °F), 30 min
Insertion opening:	min. Ø 220 mm (8.66 inch)
Materials:	stainless steel 316L (1.4404), C-PTFE or PTFE
Weight:	approx. 3.1 kg (6.8 lbs)
Preferred mounting position:	any

Approx. cycle times

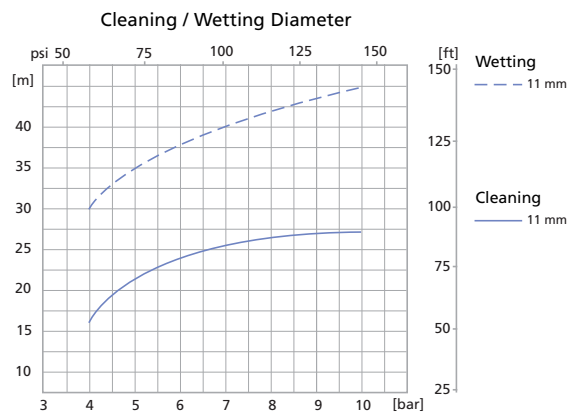
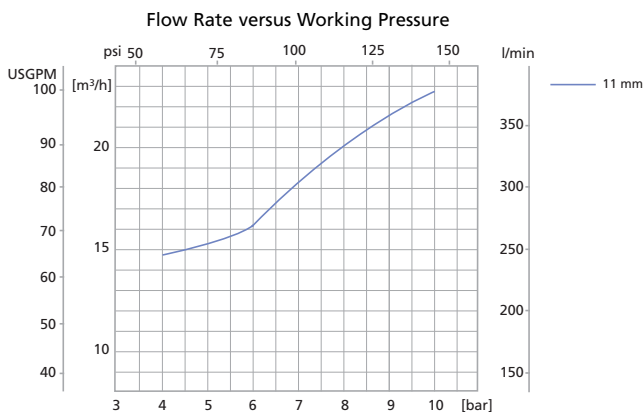
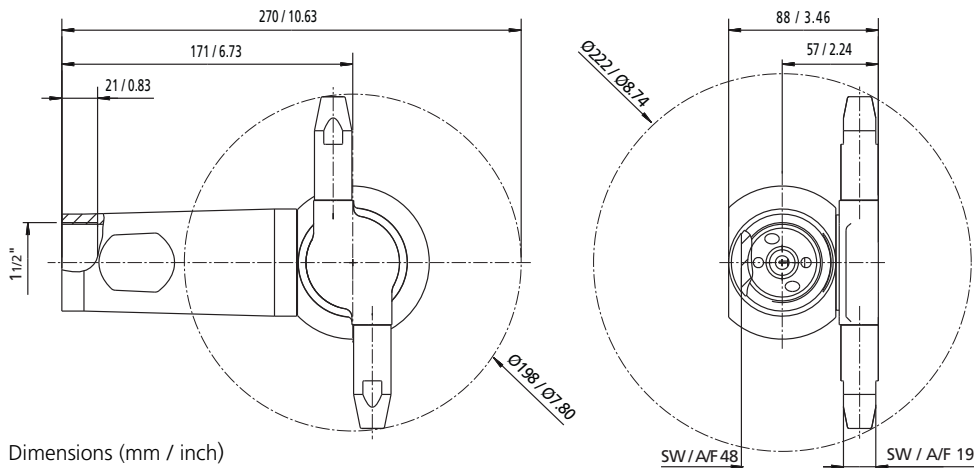
Pressure	Nozzles Ø 11 mm
4 bar	11 min 45 s
6 bar	7 min 30 s
8 bar	6 min 15 s
10 bar	5 min 30 s

Version 1

Version 1	Part number
1 1/2" BSP / 11 mm nozzles / C-PTFE ²	4660-4970-113
1 1/2" BSP / 11 mm nozzles / PTFE	4660-4970-114
1 1/2" NPT / 11 mm nozzles / C-PTFE ²	4660-4970-115
1 1/2" NPT / 11 mm nozzles / PTFE	4660-4970-116

¹ optional with Pin Fix connection

² suitable for use in potentially explosive atmospheres





- Large powerful jetting cleaner
- High flow rates
- Self-cleaning
- High spray dwell time
- Similar to Typhoon, Tempest, Tornado for maintenance purposes

Recommended

working pressure:	4 - 10 bar (58 - 145 psi)
Cleaning diameter:	max. 33 m (108 ft)
Flow rate:	14.2 - 47.4 m ³ /h (236 - 790 l/min / 62.3 - 208.7 USgpm)
Spray angle:	360°
Operating temperature:	max. 95 °C (203 °F)
Ambient temperature:	max. 140 °C (284 °F), 30 min
Insertion opening:	min. Ø 250 mm (9.84 in)
Materials:	stainless steel 316L (1.4404), C-PTFE or PTFE
Weight:	approx. 4.6 kg (10.1 lbs)
Preferred mounting position:	any

Approx. cycle times

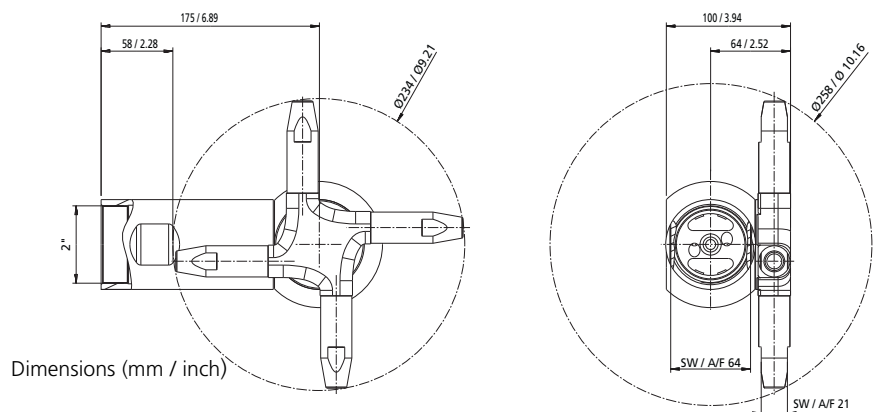
Pressure	Nozzles Ø				
	8 mm	9 mm	10 mm	11 mm	12 mm
4 bar	9 min 45 s	6 min 20 s	7 min 15 s	8 min 45 s	8 min 15 s
6 bar	7 min 30 s	5 min 15 s	5 min 15 s	7 min 15 s	6 min 30 s
8 bar	6 min 30 s	4 min 45 s	4 min 30 s	6 min 30 s	6 min 15 s
10 bar	5 min 45 s	4 min 30 s	4 min 15 s	5 min 30 s	5 min 30 s

Version 1

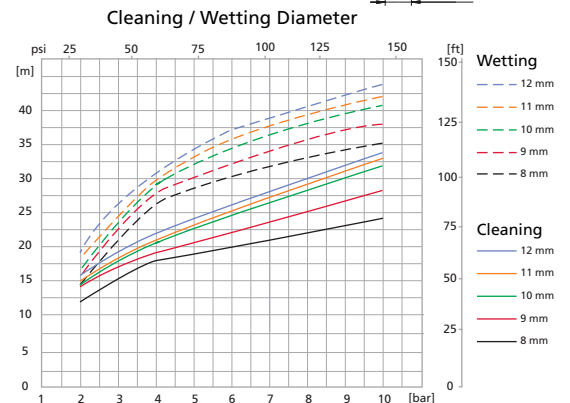
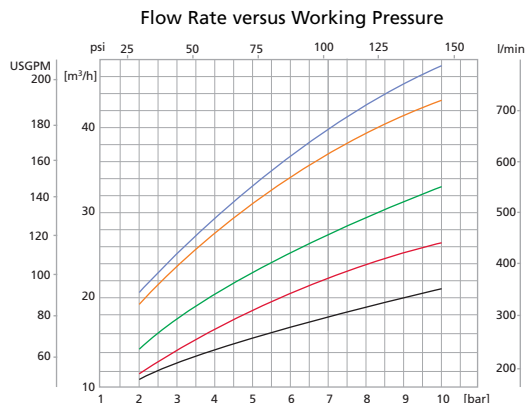
	Part number	Version 1	Part number
2" BSP / 8 mm nozzles / C-PTFE ²	4660-4980-115	2" NPT / 8 mm nozzles / C-PTFE ²	4660-4980-119
2" BSP / 9 mm nozzles / C-PTFE ²	4660-4980-114	2" NPT / 9 mm nozzles / C-PTFE ²	4660-4980-120
2" BSP / 10 mm nozzles / C-PTFE ²	4660-4980-113	2" NPT / 10 mm nozzles / C-PTFE ²	4660-4980-121
2" BSP / 11 mm nozzles / C-PTFE ²	4660-4980-132	2" NPT / 11 mm nozzles / C-PTFE ²	4660-4980-134
2" BSP / 12 mm nozzles / C-PTFE ²	4660-4980-138	2" NPT / 12 mm nozzles / C-PTFE ²	4660-4980-140
2" BSP / 8 mm nozzles / PTFE	4660-4980-116	2" NPT / 8 mm nozzles / PTFE	4660-4980-122
2" BSP / 9 mm nozzles / PTFE	4660-4980-117	2" NPT / 9 mm nozzles / PTFE	4660-4980-123
2" BSP / 10 mm nozzles / PTFE	4660-4980-118	2" NPT / 10 mm nozzles / PTFE	4660-4980-124
2" BSP / 11 mm nozzles / PTFE	4660-4980-133	2" NPT / 11 mm nozzles / PTFE	4660-4980-135
2" BSP / 12 mm nozzles / PTFE	4660-4980-139	2" NPT / 12 mm nozzles / PTFE	4660-4980-141

¹ optional with Pin Fix connection

² suitable for use in potentially explosive atmospheres



Dimensions (mm / inch)



GEA Breconcherry

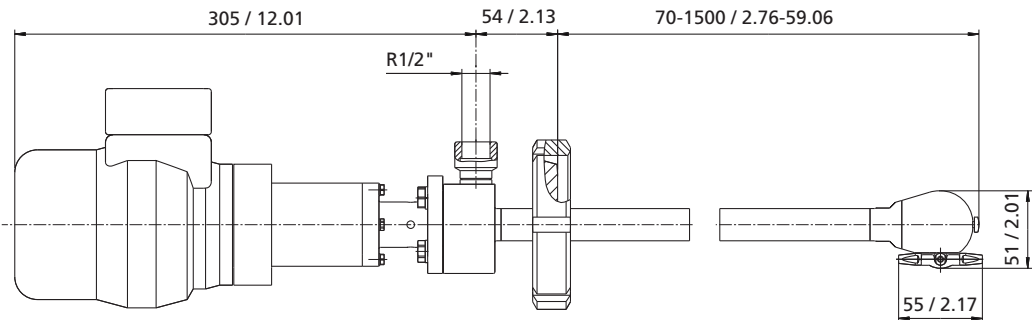
Orbital cleaners - TMC 45 / TMC 85



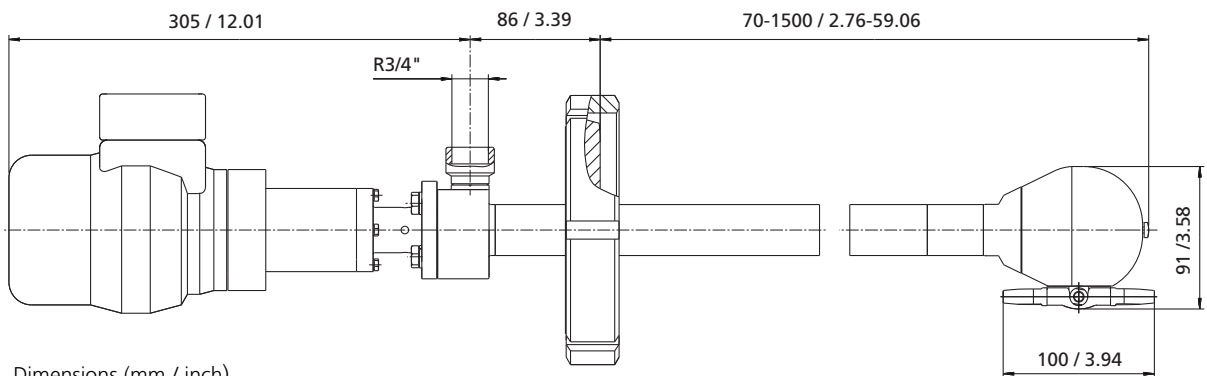
Working pressure:	1 - 25 bar (14.5 - 362.6 psi)
Cleaning diameter:	max. 12 m (39.4 ft)
Flow rate:	0.5 - 8.25 m ³ /h (8.3 - 137.5 l/min / 2.2 - 36.3 USgpm)
Spray angle:	360°
Operating temperature:	max. 90 °C (194 °F)
Ambient temperature/SIP:	max. 130 °C (266 °F), 30 min
Insertion opening:	min. Ø 50 / 96 mm (1.96 / 3.78 inch)
Materials:	stainless steel 316L (1.4404), PTFE
Pipe connection:	3/4" BSP / female thread
Weight:	approx. 11 kg / 15 kg (24.25 / 33.06 lbs)
Preferred mounting position:	any

- Variable volume flows and working pressures
- Different speed with frequent inverter
- Working pressure up to 25 bar (362.6 psi)

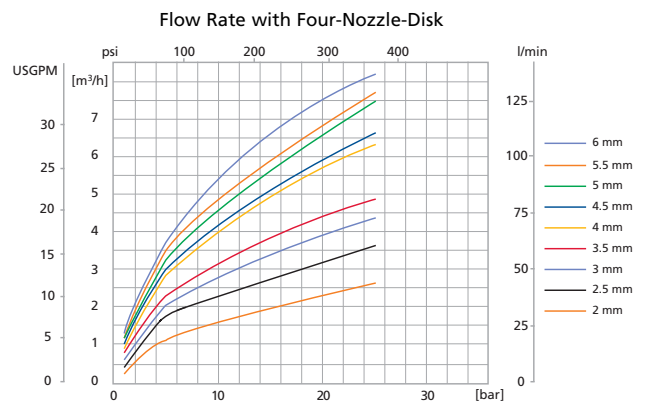
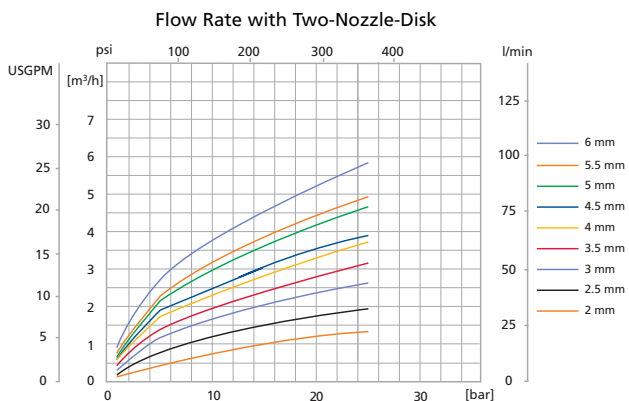
TMC 45



TMC 85



Dimensions (mm / inch)



GEA Breconcherry

Order key - Orbital cleaners - TMC 45 / TMC 85

Code	RT_TMC	45	1	5	4	2	K	230	-	-	-	0	0	0	K
Item	1	2	3	4	5	6	7	8	9	10	11	12	13	14	15
Example	Item	Designation	Code options for selection												
RT_TMC	1	Type	RT_TMC = Orbital cleaner TMC												
45	2	Size	45 = TMC 45 85 = TMC 85												
1	3	Basic price	1 Ø 21.3 mm (TMC 45) Ø 33.7 mm (TMC 85) Inserted length 500 mm 2 Ø 21.3 mm (TMC 45) Ø 33.7 mm (TMC 85) Inserted length 750 mm 3 Ø 21.3 mm (TMC 45) Ø 33.7 mm (TMC 85) Inserted length 1000 mm												
S	4	Surcharge for special inserted length	5 Reduction/extension of support tube in range 200 - 1500 mm ¹												
4	5	Nozzle disk	2 With 2 nozzles Ø 2.0 - 3.5 mm (TMC 45) / Ø 4.0 - 6.0 mm (TMC 85) 4 With 4 nozzles Ø 2.0; 2.5; 3.0; 3.5 mm 40 With 4 nozzles Ø 4.0; 4.5; 5.0; 5.5; 6.0 mm												
2	6	Nozzle diameter TMC 45 Nozzle diameter TMC 85	2 = 2 mm; 2,5 = 2.5 mm; 3 = 3 mm; 3,5 = 3.5 mm; 4 = 4 mm; 4,5 = 4.5 mm; 5 = 5 mm; 5,5 = 5.5 mm; 6 = 6 mm												
K	7	Usage	K Not in ATEX zones E In ATEX zones (valid for zones 1, 2, 21, 22)												
230	8	Motor	400 Drive motor 400V / 50Hz; IP55;1400 rpm; 90W (ATEX) 230 Drive motor 230V / 50Hz 24 Drive motor 24V including stainless steel protection hood P Compressed air motor with stainless steel protection hood (ATEX)												
-	9	Motor options	- None F Frequency inverter integrated in the motor's terminal box												
-	10	Protection hood	- None SH With stainless steel protection hood												
-	11	Handle	- None H With stainless steel handle												
0	12	Tank connection ²	0 None 65 Tank connection DIN 11851 KM DN 65 80 Tank connection DIN 11851 KM DN 80 100 Tank connection DIN 11851 KM DN 100 125 Tank connection DIN 11851 KM DN 125 150 Tank connection DIN 11851 KM DN 150 SCH Swivel and sliding flange												
0	13	Cleaning medium connection	0 Welded end 21x2.5 mm 1 Sleeve R1/2" female thread 2 Sleeve R3/4" female thread 3 Sleeve R1" female thread 4 Nipple R1/2" male thread 5 Nipple R3/4" male thread 6 Nipple R1" male thread												
0	14	Surface	0 Ra < 0.8 µm ground (without weld seams) 1 Electropolished Ra < 0.4 µm (without weld seams etc.)												
K	15	Certificates	K No certificate W (41) With factory certificate 2.2 DIN EN10204 Z (42) With material test certificate 3.1 DIN EN10204 A (41/42) Material test certificate 3.1 DIN EN10204												

¹ Insertion length

² Special connections available on request

GEA Breconcherry

Rotating cleaner - Torrent

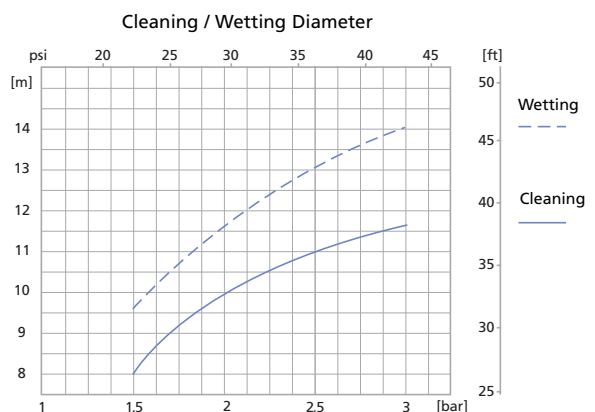
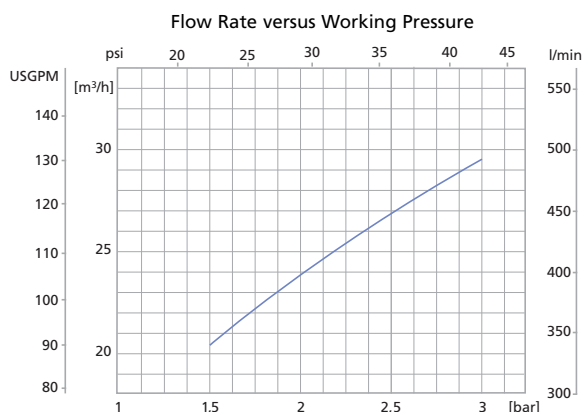
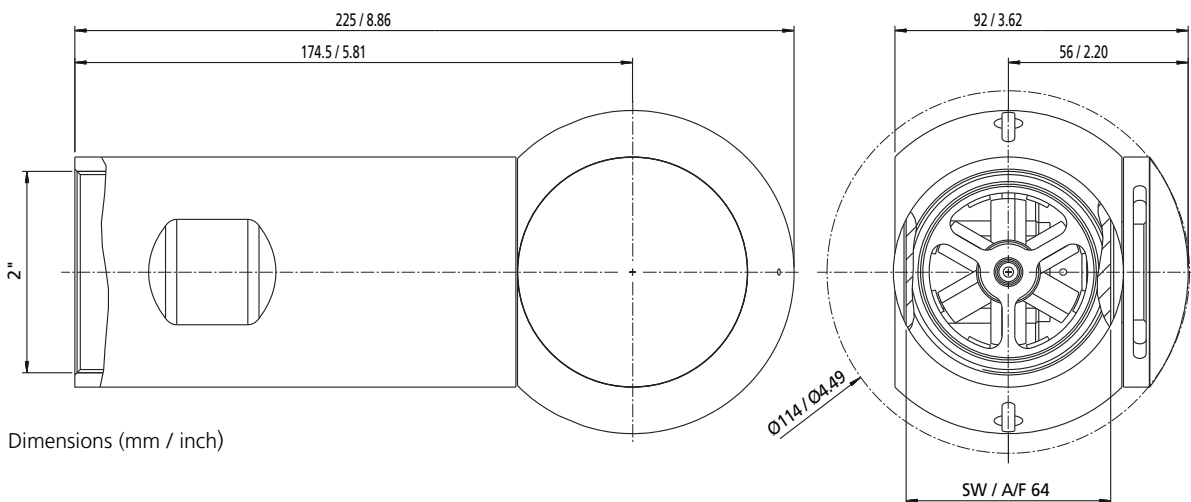


Working pressure:	1.5 - 3 bar (21.8 - 43.5 psi)
Cleaning diameter:	max. 11.6 m (38.1 ft)
Flow rate:	20.4 - 29.6 m ³ /h (340 - 493 l/min / 89.8 - 130.2 USgpm)
Spray angle:	270° towards the inlet (optional 360°)
Operating temperature:	max. 95 °C (203 °F)
Ambient temperature:	max. 140 °C (284 °F), 30 min
Insertion opening:	min. 120 mm (4.72 inch)
Materials:	stainless steel 316L (1.4404), C-PTFE or PTFE
Weight:	approx. 3.5 kg (7.7 lbs)
Preferred mounting position:	any

- Hygienic design
- High spray dwell time
- Similar to Tempest & Typhoon for maintenance purposes
- Ball bearing free

Version	Part number
2" BSP / C-PTFE ²	4660-4972-113
2" BSP / PTFE	4660-4972-114
2" NPT / C-PTFE ²	4660-4972-115
2" NPT / PTFE	4660-4972-116

² suitable for use in potentially explosive atmospheres



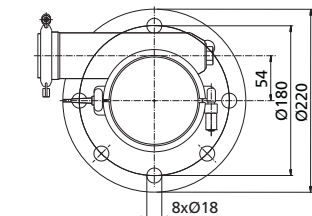
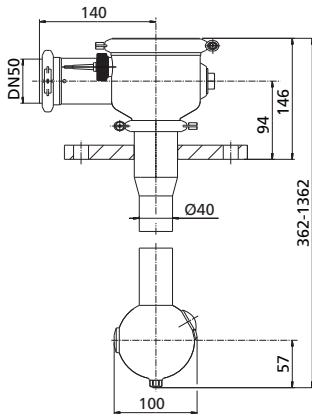
GEA Breconcherry

Rotating cleaner - Rotating Jet Cleaner Type 2E

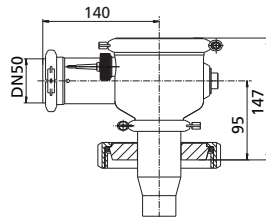


Working pressure:	2.3 - 4.3 bar (33.4 - 62.4 psi)
Cleaning diameter:	max. 10 m (32.8 ft)
Flow rate:	7 - 29 m ³ /h / 116 - 483 l/min / 30.8 - 127.7 USgpm
Operating temperature:	max. 80 °C, 30 min / optional 90 °C
Ambient temperature/SIP:	max. 130 °C, 30 min with PTFE version only
Insertion opening:	min. Ø 100 mm
Materials:	stainless steel 1.4571 (316Ti) / PP up to 80 °C / EPDM stainless steel 1.4571 (316Ti) / PTFE up to 90 °C / EPDM
Pressure supply port / tank connection:	variable
Weight:	approx. 11 kg (24.25 lbs)
Preferred mounting position:	vertical down

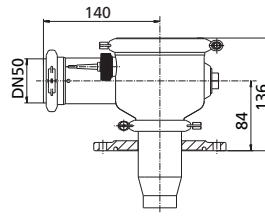
- Robust, low-maintenance
- Variable spray pattern
- Low pressure required
- Slow controlled rotation
- Optional built-in sensor to monitor functioning
- Can be used in the tank safety system



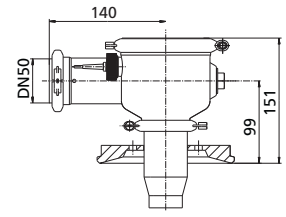
Form G - flange, DN 100 PN 16 to DIN 2501



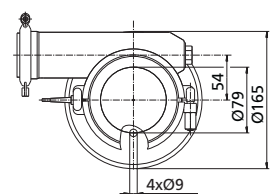
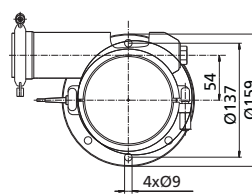
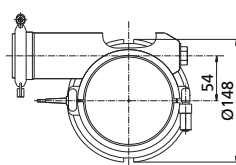
Form E - screwed union, conical fitting / round slotted nut DN 100 to DIN 11851

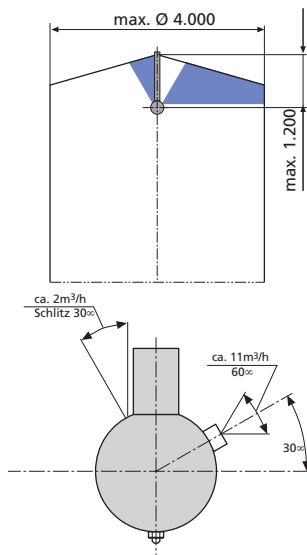


Form D - GEA Tuchenhagen VARIVENT® grooved flange, DN 100 PN 10 with O-ring design

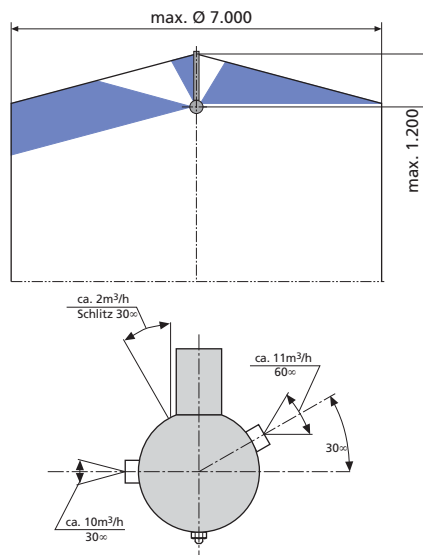


Form A - weld-in flange, split version, fitted from the inside

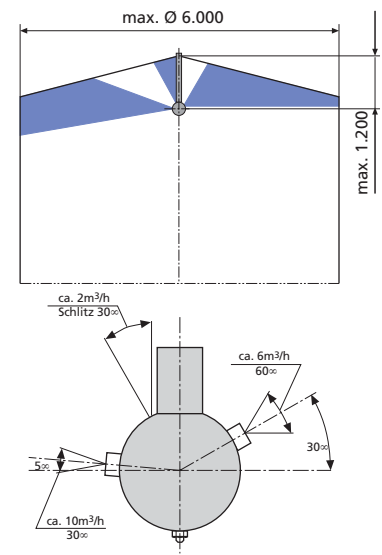




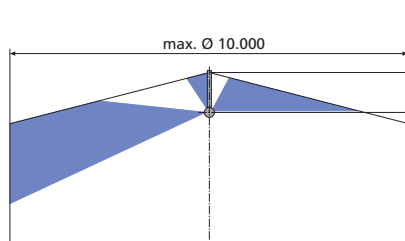
Spray pattern A



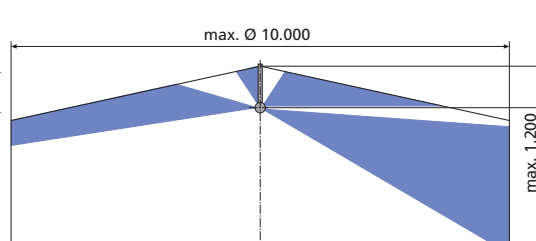
Spray pattern B



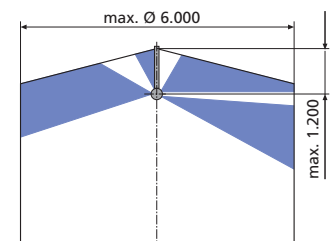
Spray pattern B1



Spray pattern C1



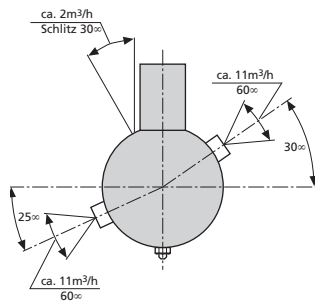
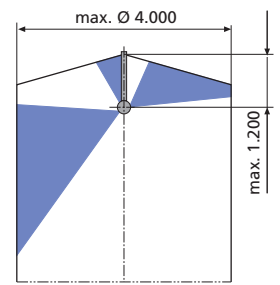
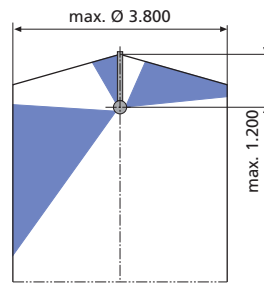
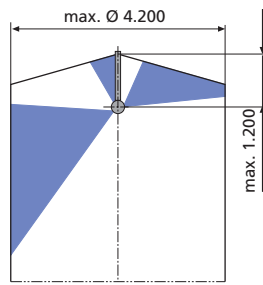
Spray pattern C2



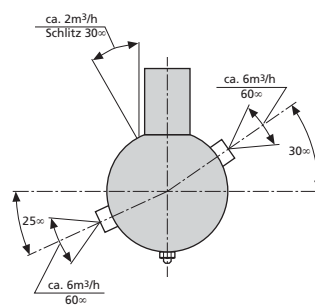
Spray pattern C4

Dimensions (mm)

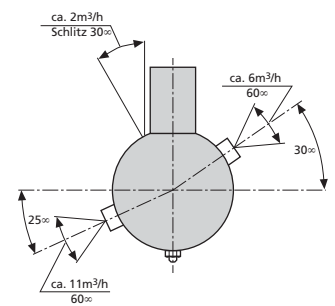
Type	Number of nozzles	Volume flow [m ³ /h]	Pressure [bar]	[rpm]	Spray circle [Ø m]
A	1	13 – 14	2.7	8 – 12	4
B	2	23 – 24	3.7	4 – 6	7
B1	2	18 – 19	3.0	3 – 4	6
C1	2	23 – 24	3.7	4 – 6	10
C2	3	28 – 29	4.3	5 – 8	10
C4	3	24 – 25	3.9	5 – 7	6



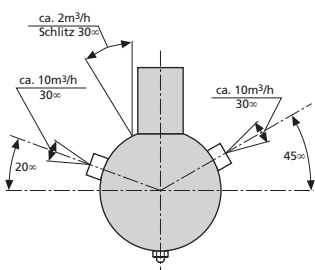
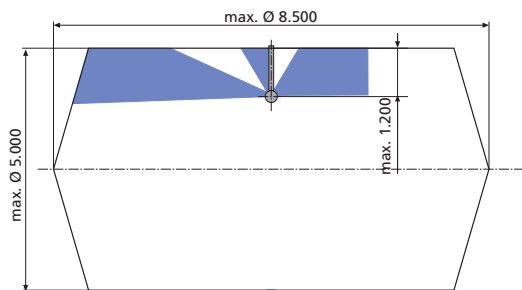
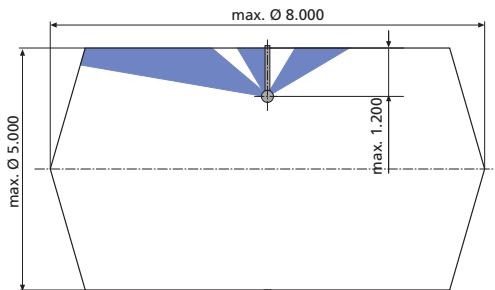
Spray pattern D1



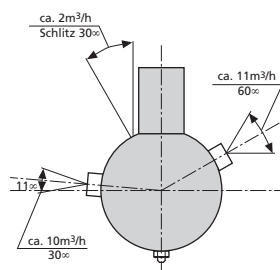
Spray pattern D2



Spray pattern D3



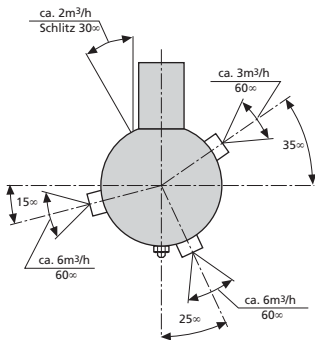
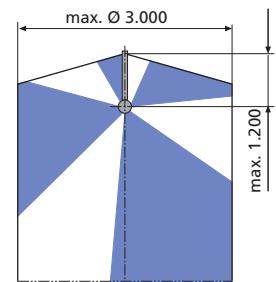
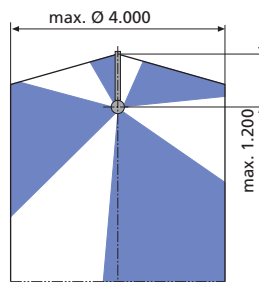
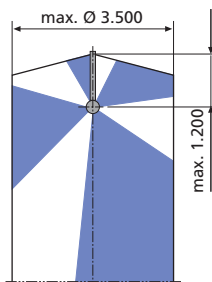
Spray pattern E



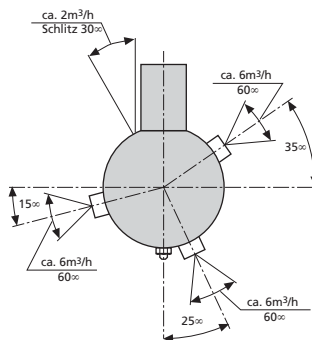
Spray pattern E1

Dimensions (mm)

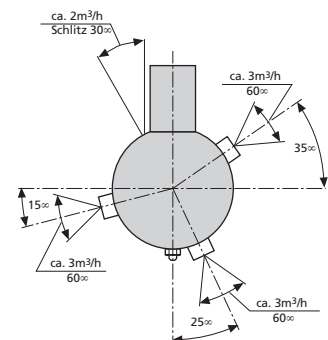
Type	Number of nozzles	Volume flow [m³/h]	Pressure [bar]	[rpm]	Spray circle [Ø m]
D1	2	24 – 25	3.8	4 – 6	4.2
D2	2	14 – 15	2.8	3 – 4	3.8
D3	2	19 – 20	3.4	4 – 5	4
E	2	22 – 23	3.6	4 – 6	8
E1	2	23 – 24	3.7	4 – 6	8.5



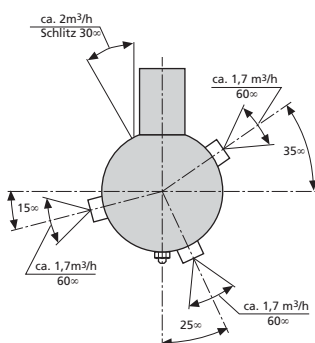
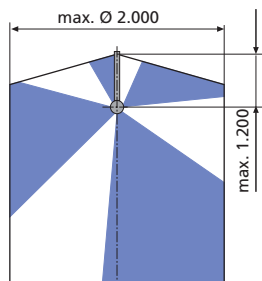
Spray pattern F2



Spray pattern F3



Spray pattern F5



Spray pattern F6

Dimensions (mm)

Type	Number of nozzles	Volume flow [m³/h]	Pressure [bar]	[rpm]	Spray circle [Ø m]
F2	3	17 - 18	2.8	3 - 5	3.5
F3	3	20 - 21	3.2	3 - 5	4
F5	3	11 - 12	2.6	6 - 0	3
F6	3	7 - 8	2.3	4 - 6	2

Code	RTZR	2E	2	600	00	3	10	C2	0	M	K
Item	1	2	3	4	5	6	7	8	9	10	11

Example	Item	Designation	Code options for selection
RTZR	1	Type	RTZR = rotating jet cleaner
2E	2	Version	2E = type 2E
2	3	Material	2 1.4571 (316Ti) / PP Version 2E 3 1.4571 (316Ti) / PTFE Version 2E
600	4	Insertion length	200 = 200 mm 400 = 400 mm 600 = 600 mm 800 = 800 mm 1000 = 1000 mm 1200 = 1200 mm
00	5	Tank connection for ZR 2E	00 No tank connection 03 Form G, flange, DN 100 PN 16 DIN 2501 04 Form E, conical fitting / slotted nut, DN 100 DIN 11851 08 Form A, weld-in flange, split version 09 Form D, VARIVENT® grooved flange, 4" OD PN 10 10 Form D, VARIVENT® grooved flange, DN 100 PN 10 13 Form D, VARIVENT® grooved flange, DN 125 PN 10 14 Form D, VARIVENT® grooved flange, DN 162 PN 10
3	6	Pressure supply port	1 Clamping ring connection DN 50 2 Screw fitting DN 50 DIN 11851 3 VARIVENT® grooved flange DN 50 PN 16 4 Screwed pipe union DN 50 DIN 11851 5 VARIVENT® flange connection DN 50 PN 16 complete
10	7	Feedback	1 Connection for proximity switch, blanked 10 Proximity switch 8.2 V DC (Namur) 11 Proximity switch 10-30 V DC (3-wire) 21 Proximity switch 20-250 V AC (2-wire) 33 PTFE sleeve for proximity switch only
C2	8	Nozzle arrangement 2E	A B B1 C1 D1 D2 D3 E1 E C2 C4 F2 F3 F5 F6
0	9	Counter flange for tank connection	0 No counter flange 1 Flange seal, form F 3 Counter flange, form F, complete 4 VARIVENT® flat flange DN 100 / 4" OD 4 VARIVENT® flat flange DN 125 4 VARIVENT® flat flange DN 162 5 Manhole flashing
M	10	Surface	M Matt P Electropolished
K	11	Certificates	K No certificate W (41) With factory certificate 2.2 DIN EN10204

GEA Breconcherry

Rotating cleaners - Turbo SSB 40



Pin Fix



BSP/NPT

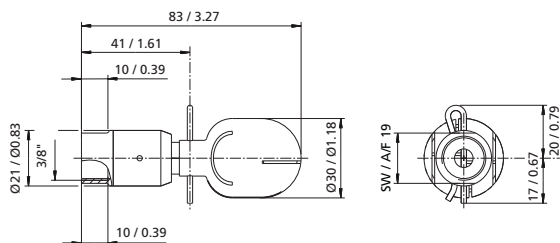
Turbo SSB 40	
Working pressure:	2 - 5 bar (29 - 72.5 psi)
Cleaning diameter:	max. 3 m (9.8 ft)
Flow rate:	2.1 - 3.7 m ³ /h (38.3 - 61.7 l/min / 10.1 - 16.3 USgpm)
Spray angle:	360°
Operating temperature:	max. 90 °C (194 °F)
Ambient temperature/SIP:	max. 140 °C (284 °F), 30 min
Insertion opening:	BSP/NPT min. Ø 38 mm (1.5 inch) min. / Pin Fix Ø 57 mm (2.24 inch)
Materials:	stainless steel 316L (1.4404) with C-PTFE or PTFE
Preferred mounting position:	vertical down

- Slow constant rotation
- Powerful fan jets

Version	Part number
3/8" BSP female / C-PTFE ²	4660-2556-113
3/8" BSP female / PTFE	4660-2555-112
3/8" NPT female / C-PTFE ²	4660-2558-213
3/8" NPT female / PTFE	4660-2558-212

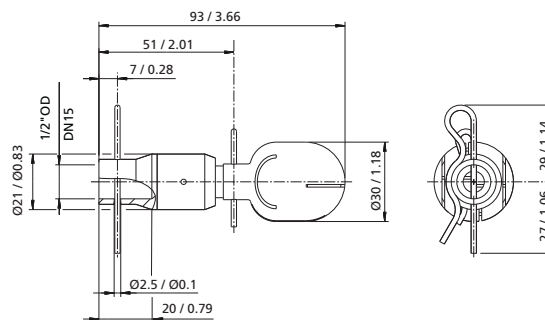
Version	Part number
Pin Fix for 1/2" OD pipe (12.7 x 1.6 mm) / C-PTFE ²	4660-2557-413
Pin Fix for 1/2" OD pipe (12.7 x 1.6 mm) / PTFE	4660-2561-412
Pin Fix for DN 15 pipe (19 x 1.5 mm) / C-PTFE ²	4660-2557-419
Pin Fix for DN 15 pipe (19 x 1.5 mm) / PTFE	4660-2561-419

² suitable for use in potentially explosive atmospheres

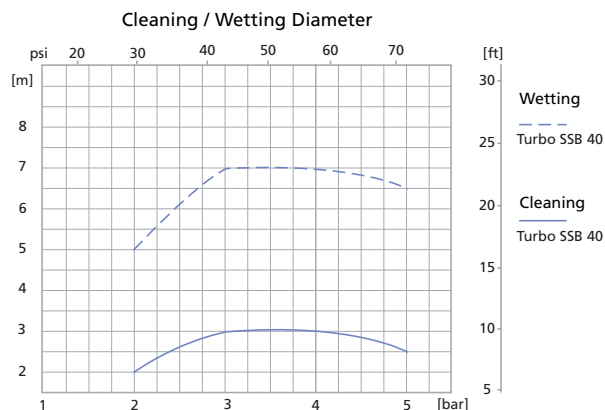
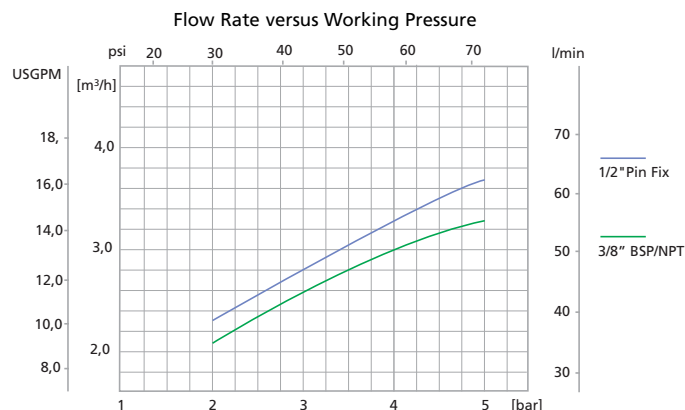


Female thread

Dimensions (mm / inch)



Pin Fix



GEA Breconcherry

Rotating cleaners - Turbo SSB 75 / Turbo SSB 75 CS



Turbo SSB 75 Pin Fix



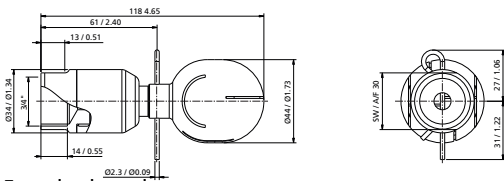
Turbo SSB 75 CS
BSP/NPT

- Slow constant rotation
- Powerful fan jets
- Combined shaft version (CS) without pinned ball

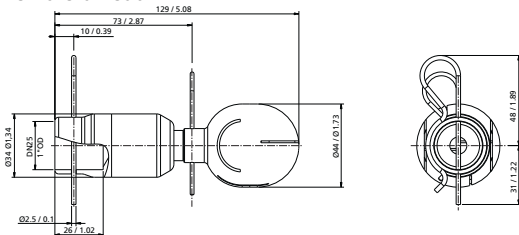
	Turbo SSB 75
Working pressure:	2 - 10 bar (29 - 145 psi)
Cleaning diameter:	max. 4.7 m (15.4 ft)
Flow rate:	3.6 - 9.2 m ³ /h (60 - 153.3 l/min / 15.85 - 40.5 USgpm)
Spray angle:	360°
Operating temperature:	max. 90 °C (194 °F)
Ambient temperature/SIP:	max. 140 °C (284 °F), 30 min
Insertion opening:	Turbo SSB 75 BSP/NPT min. 60 mm (2.36 inch) / Pin Fix min. Ø 90 mm (3.54 inch) Turbo SSB 75 CS BSP/NPT min. 45 mm (1.77 inch) / PinFix min. Ø 90 mm (3.54 inch)
Materials:	stainless steel 316L (1.4404) with C-PTFE or PTFE
Preferred mounting position:	vertical down

Version	Part number	Version	Part number
3/4" BSP female / C-PTFE ²	4660-2337-113	3/4" BSP female / C-PTFE CS ²	4660-2558-421
3/4" BSP female / PTFE	4660-2336-112	3/4" BSP female / PTFE CS	4660-2558-418
3/4" NPT female / C-PTFE ²	4660-2341-213	3/4" NPT female / C-PTFE CS ²	4660-2558-422
3/4" NPT female / PTFE	4660-2346-212	3/4" NPT female / PTFE CS	4660-2558-424
Pin Fix for 1" OD (25.4 x 1.6 mm) pipe / C-PTFE ²	4660-2342-413	Pin Fix for 1" OD (25.4 x 1.6 mm) pipe / C-PTFE CS ²	4660-2558-423
Pin Fix for 1" OD (25.4 x 1.6 mm) pipe / PTFE	4660-2347-412	Pin Fix for 1" OD (25.4 x 1.6 mm) pipe / PTFE CS	4660-2558-425
Pin Fix for DN 25 (29 x 1.5 mm) pipe / C-PTFE ²	4660-2558-413	Pin Fix for DN 25 (29 x 1.5 mm) pipe / C-PTFE CS ²	4660-2558-420
Pin Fix for DN 25 (29 x 1.5 mm) pipe / PTFE	4660-2558-414	Pin Fix for DN 25 (29 x 1.5 mm) pipe / PTFE CS	4660-2558-419

² suitable for use in potentially explosive atmospheres

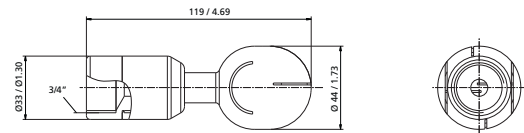


Female thread

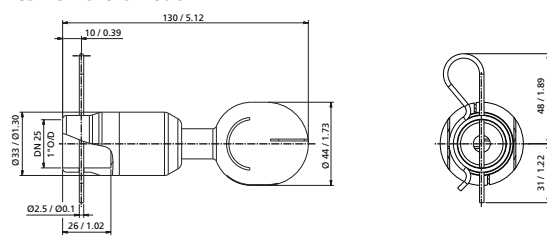


Pin Fix

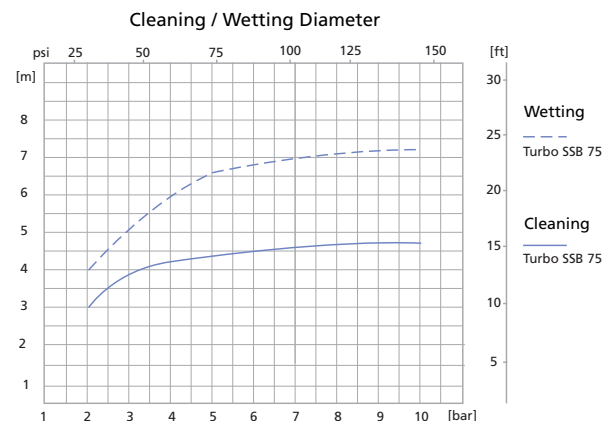
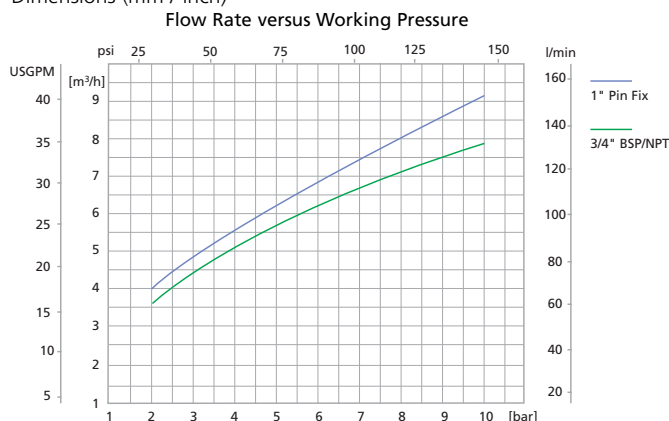
Dimensions (mm / inch)



CS Female thread



CS Pin Fix



GEA Breconcherry

Rotating cleaners - Turbo SSB 125



Pin Fix

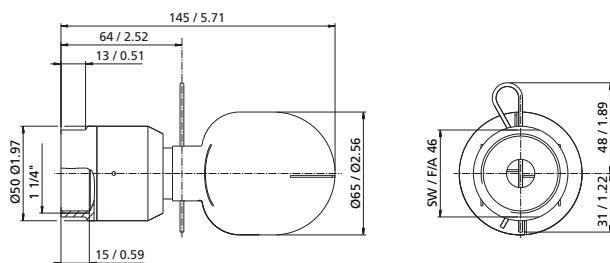
BSP/NPT

Turbo SSB 125	
Working pressure:	2 - 6 bar (29 - 87 psi)
Cleaning diameter:	max. 10 m (32.8 ft)
Flow rate:	12 - 24.5 m ³ /h (200 - 408.3 l/min / 52.8 - 107.9 USgpm)
Spray angle:	360°
Operating temperature:	max. 90 °C (194 °F)
Ambient temperature/SIP:	max. 140 °C (284 °F), 30 min
Insertion opening:	BSP/NPT min. 90 mm (3.54 inch) / PinFix min. Ø 110 mm (4.33 inch)
Materials:	stainless steel 316L (1.4404) with C-PTFE or PTFE
Preferred mounting position:	vertical down

- Slow constant rotation
- Powerful fan jets

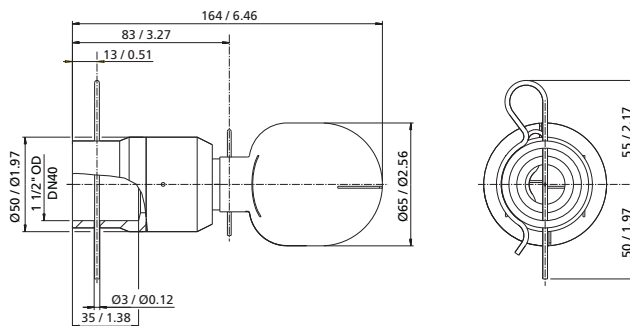
Version	Part number	Version	Part number
1 1/4" BSP female / C-PTFE ²	4660-2451-113	Pin Fix for 1 1/2" OD (38.1 x 1.6 mm) pipe / C-PTFE ²	4660-2452-413
1 1/4" BSP female / PTFE	4660-2448-112	Pin Fix for 1 1/2" OD (38.1 x 1.6 mm) pipe / PTFE	4660-2454-412
1 1/4" NPT female / C-PTFE ²	4660-2558-417	Pin Fix for DN 40 (41 x 1.5 mm) pipe / C-PTFE ²	4660-2558-415
1 1/4" NPT female / PTFE	4660-2453-212	Pin Fix for DN 40 (41 x 1.5 mm) pipe / PTFE	4660-2558-416

² suitable for use in potentially explosive atmospheres

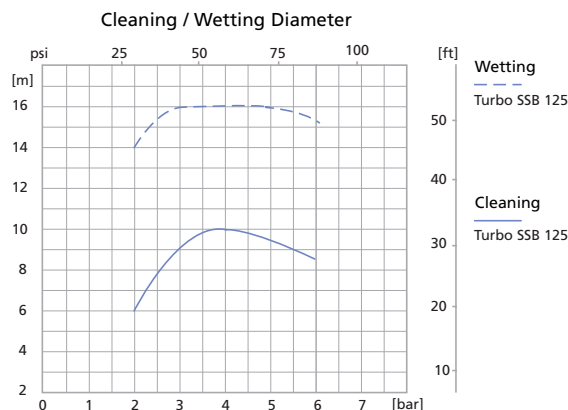
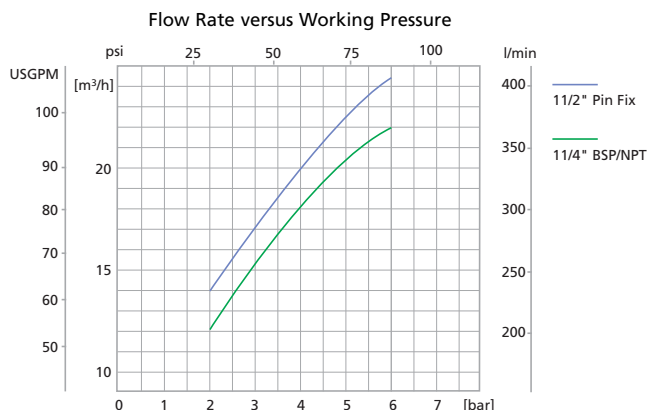


Female thread

Dimensions (mm / inch)



Pin Fix



GEA Breconcherry

Rotating cleaners - Sanitor



Pin Fix

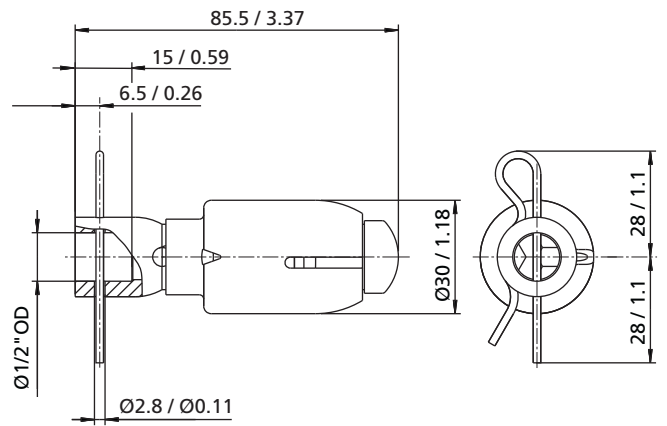
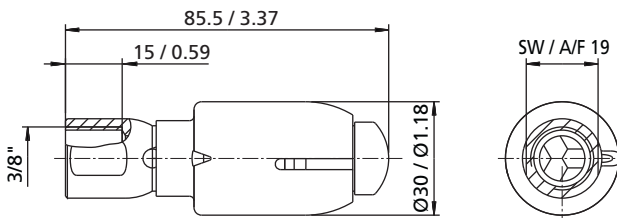
BSP/NPT

Working pressure:	2 - 20 bar (29 - 290 psi)
Cleaning diameter:	max. 4.8 m (15.1 ft)
Flow rate:	1.5 - 4.8 m ³ /h (25 - 80 l/min / 6.6 - 21.13 USgpm)
Spray angle:	360°
Operating temperature:	max. 95 °C (203 °F)
Ambient temperature/SIP:	max. 140 °C (284 °F), 30 min
Insertion opening:	BSP/NPT min. Ø 32 mm (1.26 inch) / PinFix min. Ø 60 mm (2.36 inch)
Materials:	stainless steel 316L (1.4404)
Preferred mounting position:	vertical down

- Slow constant rotation
- Low volume flow
- Working pressure up to 20 bar
- No elastomers

Version	Part number
3/8" BSP ²	4660-3002-010
3/8" NPT ²	4660-3003-010
Pin Fix for 1/2" OD (12.7x1.6mm) pipe ²	4660-3001-010

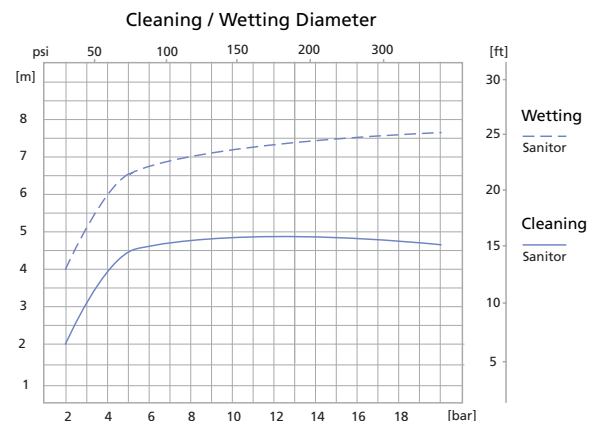
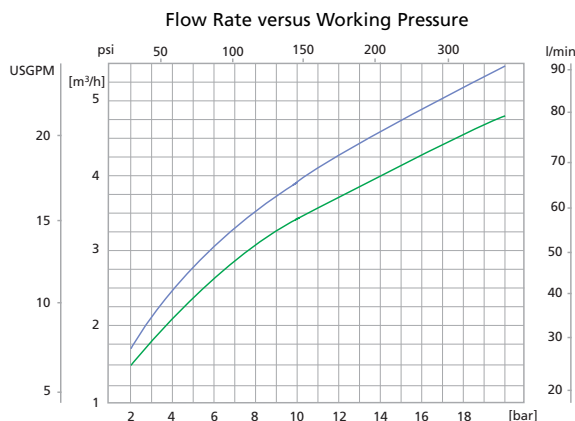
² suitable for use in potentially explosive atmospheres



Female thread

Pin Fix

Dimensions (mm / inch)



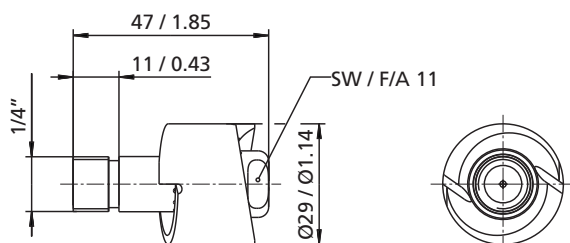


Turbodisc 25	
Working pressure:	2-4 bar (29 - 58 psi)
Cleaning diameter:	max. 1.5 m (4.9 ft)
Flow rate:	2.4 - 3.6 m ³ /h (40 - 60 l/min / 10.57 - 15.85 USgpm)
Spray angle:	360°
Operating temperature:	max. 95 °C (203 °F)
Ambient temperature/SIP:	max. 140 °C (284 °F), 30 min
Insertion opening:	min. Ø 31 mm (1.22 inch)
Materials:	stainless steel 316L (1.4404) with C-PTFE or PTFE
Preferred mounting position:	any

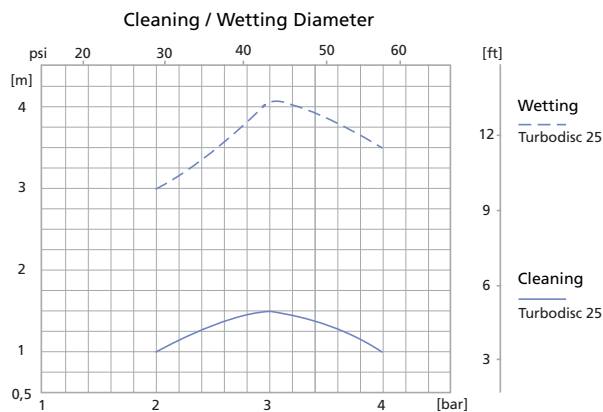
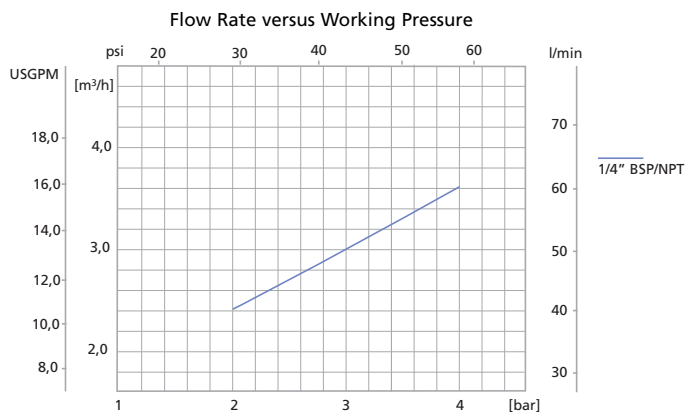
- Effective wash - due to high rotation speed
- Low flow rates

Version	Part number
1/4" BSP male / C-PTFE ²	4660-1678-113
1/4" BSP male / PTFE	4660-1603-002
1/4" NPT male / C-PTFE ²	4660-1677-203
1/4" NPT male / PTFE	4660-1604-202

² suitable for use in potentially explosive atmospheres



Dimensions (mm / inch)





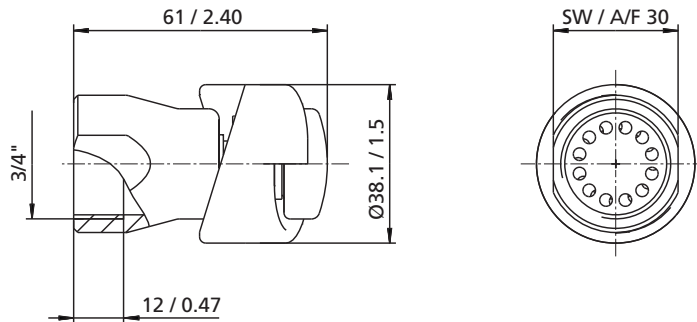
Turbodisc 75	
Working pressure:	2-4 bar (29 - 58 psi)
Cleaning diameter:	max. 2.4 m (7.9 ft)
Flow rate:	4.5 - 6.3 m ³ /h (75 - 105 l/min / 19.8 - 27.7 USgpm)
Spray angle:	360°
Operating temperature:	max. 95 °C (203 °F)
Ambient temperature/SIP:	max. 140 °C (284 °F), 30 min
Insertion opening:	min. Ø 41 mm (1.61 inch)
Materials:	stainless steel 316L (1.4404) with C-PTFE or PTFE
Preferred mounting position:	any

- Effective wash - due to high rotation speed
- Low flow rates

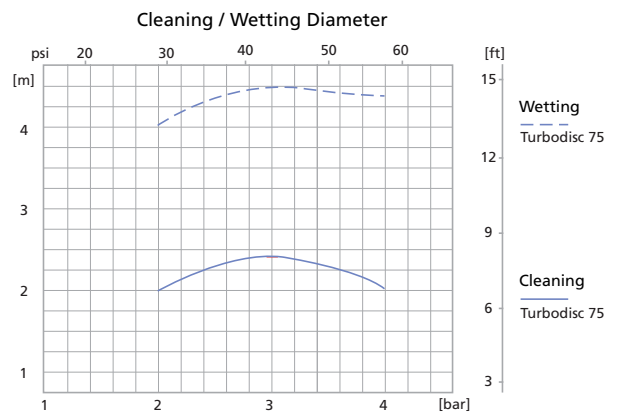
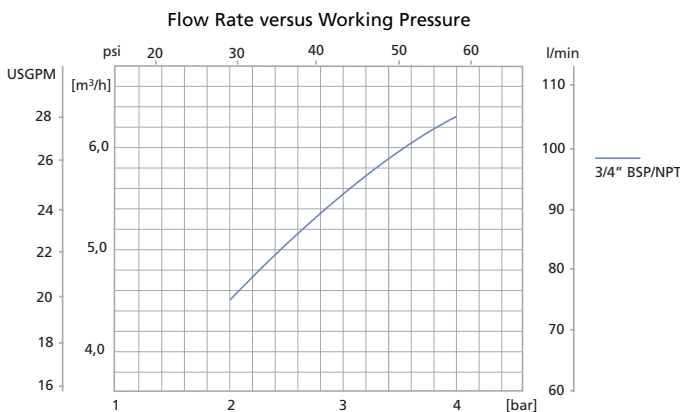
Version ¹	Part number
3/4" BSP female / C-PTFE ²	4660-1615-003
3/4" BSP female / PTFE	4660-1624-002
3/4" NPT female / C-PTFE ²	4660-1677-210
3/4" NPT female / PTFE	4660-1677-211

¹ optional with Pin Fix connection

² suitable for use in potentially explosive atmospheres



Dimensions (mm / inch)





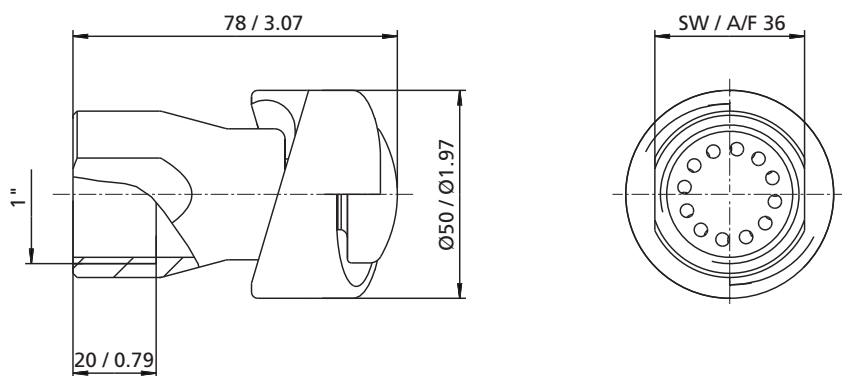
Turbodisc 100	
Working pressure:	2-4 bar (29 - 58 psi)
Cleaning diameter:	max. 4.5 m (14.8 ft)
Flow rate:	7.2 - 9.5 m ³ /h (120 - 158.3 l/min / 31.7 - 41.8 USgpm)
Spray angle:	360°
Operating temperature:	max. 95 °C (203 °F)
Ambient temperature/SIP:	max. 140 °C (284 °F), 30 min
Insertion opening:	min. Ø 55 mm (2.17 inch)
Materials:	stainless steel 316L (1.4404) with C-PTFE or PTFE
Preferred mounting position:	any

- Effective wash - due to high rotation speed
- Low flow rates

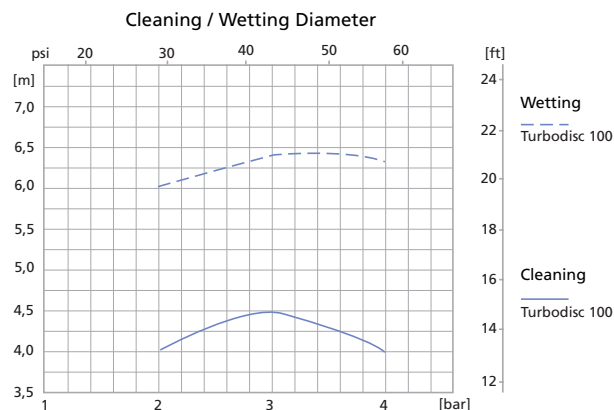
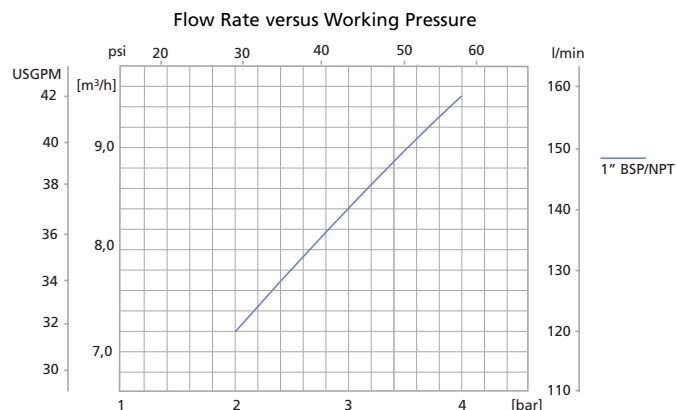
Version ¹	Part number
1" BSP female / C-PTFE ²	4660-1611-113
1" BSP female / PTFE	4660-1624-112
1" NPT female / C-PTFE ²	4660-1677-204
1" NPT female / PTFE	4660-1624-212

¹ optional with Pin Fix connection

² suitable for use in potentially explosive atmospheres



Dimensions (mm / inch)





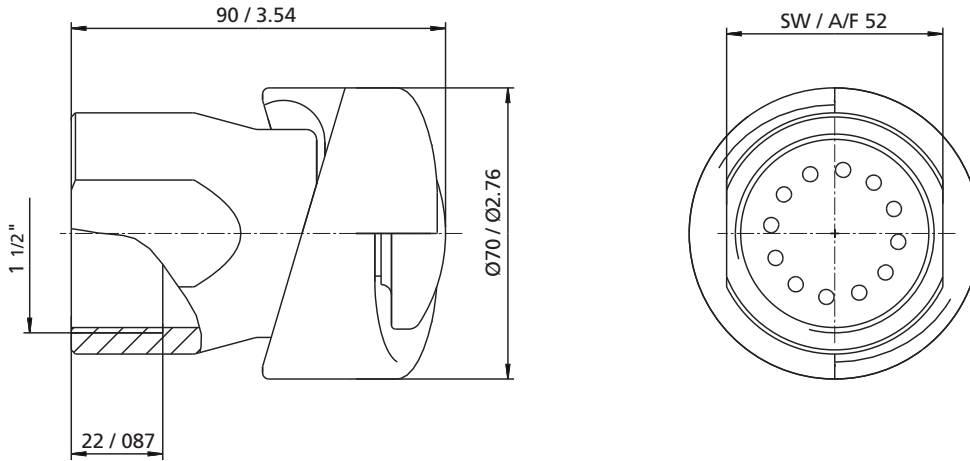
Turbodisc 150	
Working pressure:	2-4 bar (29 - 58 psi)
Cleaning diameter:	max. 5 m (16.4 ft)
Flow rate:	10.8 - 14.7 m ³ /h (180 - 245 l/min / 47.6 - 64.72 USgpm)
Spray angle:	360°
Operating temperature:	max. 95 °C (203 °F)
Ambient temperature/SIP:	max. 140 °C (284 °F), 30 min
Insertion opening:	min. Ø 75 mm (2.95 inch)
Materials:	stainless steel 316L (1.4404) with C-PTFE or PTFE
Preferred mounting position:	any

- Effective wash - due to high rotation speed
- Low flow rates

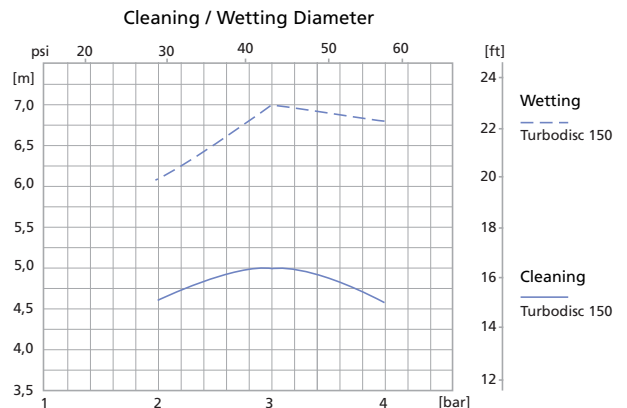
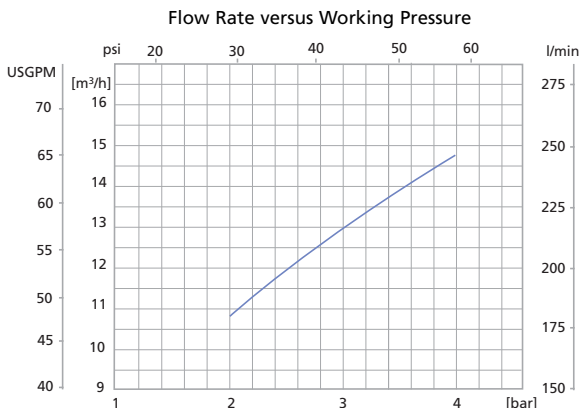
Version ¹	Part number
1 1/2" BSP female / C-PTFE ²	4660-1662-113
1 1/2" BSP female / PTFE	4660-1654-112
1 1/2" NPT female / C-PTFE ²	4660-1677-205
1 1/2" NPT female / PTFE	4660-1677-206

¹ optional with Pin Fix connection

² suitable for use in potentially explosive atmospheres



Dimensions (mm / inch)





C-PTFE



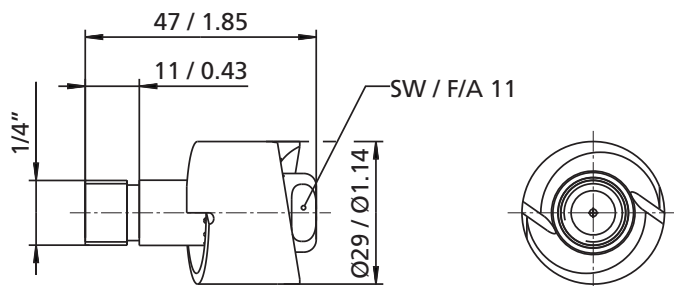
PTFE

Chemidisc 25	
Working pressure:	2-4 bar (29 - 58 psi)
Cleaning diameter:	max. 1.5 m (4.9 ft)
Flow rate:	2.4 - 3.6 m ³ /h (40 - 60 l/min / 10.57 - 15.85 USgpm)
Spray angle:	360°
Operating temperature:	max. 95 °C (203 °F)
Ambient temperature/SIP:	max. 140 °C (284 °F), 30 min
Insertion opening:	min. Ø 31 mm (1.22 inch)
Materials:	C-PTFE or PTFE
Preferred mounting position:	any

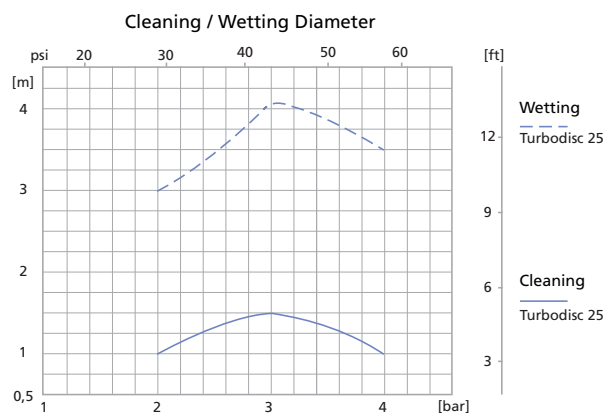
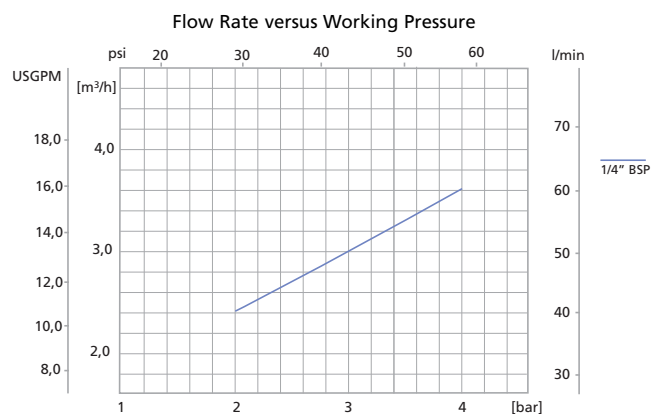
- Chemical resistant - ideal for corrosive environments
- Lightweight construction - safer in glass lined vessels
- Effective wash - due to high rotation speed

Version	Part number
1/4" BSP male / C-PTFE ²	4660-1118-133
1/4" BSP male / PTFE	4660-1123-122

² suitable for use in potentially explosive atmospheres



Dimensions (mm / inch)





PTFE



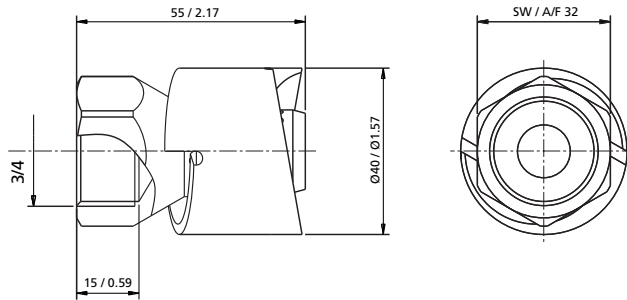
C-PTFE

Chemidisc 75	
Working pressure:	2-4 bar (29 - 58 psi)
Cleaning diameter:	3 m (9.8 ft)
Flow rate:	3.5 - 5 m ³ /h (59 - 83 l/min / 15.6 - 21.9 USgpm)
Spray angle:	360°
Operating temperature:	max. 95 °C (203 °F)
Ambient temperature/SIP:	max. 140 °C (284 °F), 30 min
Insertion opening:	min. Ø 41 mm (1.61 inch)
Materials:	C-PTFE or PTFE
Preferred mounting position:	any

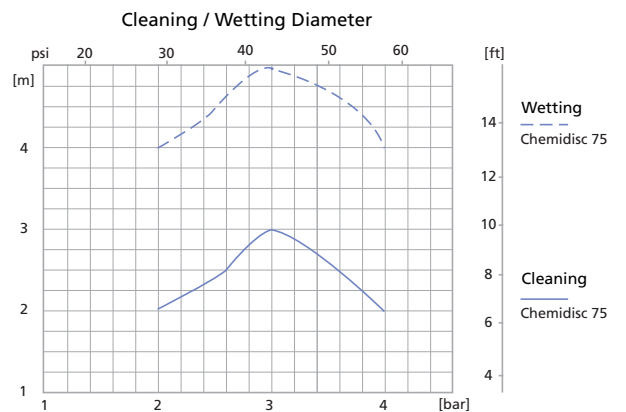
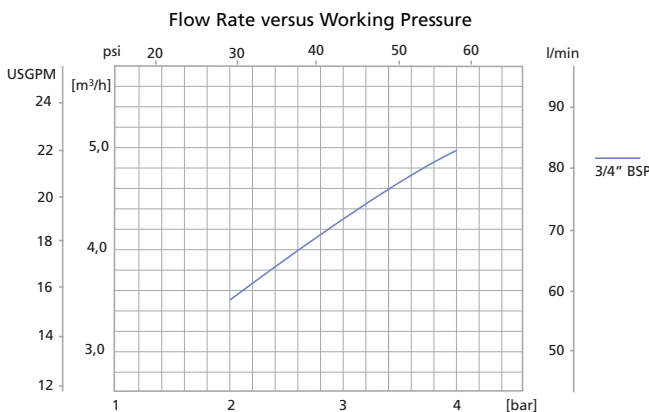
- Chemical resistant - ideal for corrosive environments
- Lightweight construction - safer in glass lined vessels
- Effective wash - due to high rotation speed

Version	Part number
3/4" BSP female / C-PTFE ²	4660-1131-133
3/4" BSP female / PTFE	4660-1134-122

² suitable for use in potentially explosive atmospheres



Dimensions (mm / inch)



GEA Breconcherry

Rotating cleaners - Chemidisc 100



PTFE



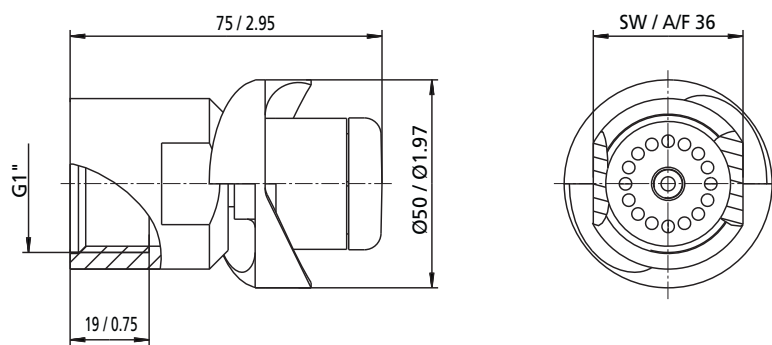
C-PTFE

Chemidisc 100	
Working pressure:	2-4 bar (29 - 58 psi)
Cleaning diameter:	4.6 m (15.1 ft)
Flow rate:	5.7 - 8 m ³ /h (95 - 134 l/min / 25.1 - 35.6 USgpm)
Spray angle:	360°
Operating temperature:	max. 95 °C (203 °F)
Ambient temperature/SIP:	max. 140 °C (284 °F), 30 min
Insertion opening:	min. Ø 55 (2.17 inch)
Materials:	C-PTFE or PTFE
Preferred mounting position:	any

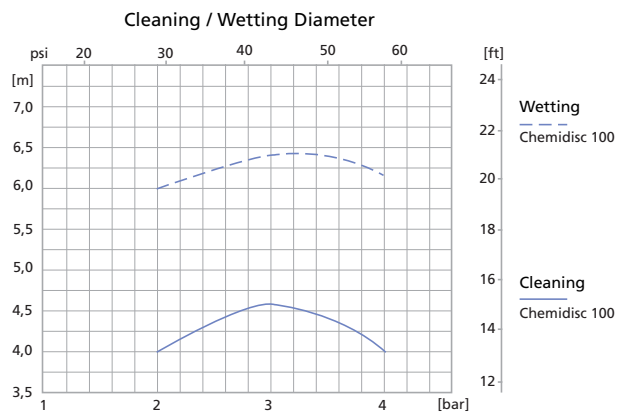
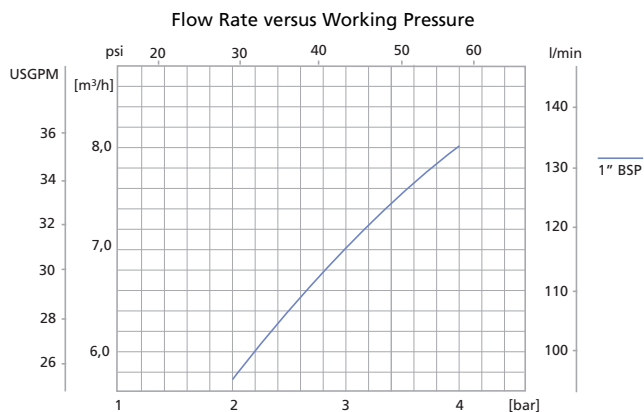
- Chemical resistant - ideal for corrosive environments
- Lightweight construction - safer in glass lined vessels
- Effective wash - due to high rotation speed

Version	Part number
1" BSP female / C-PTFE ²	4660-1137-103
1" BSP female / PTFE	4660-1103-122

² suitable for use in potentially explosive atmospheres



Dimensions (mm / inch)



GEA Breconcherry

Rotating cleaners - Chemidisc 150



PTFE

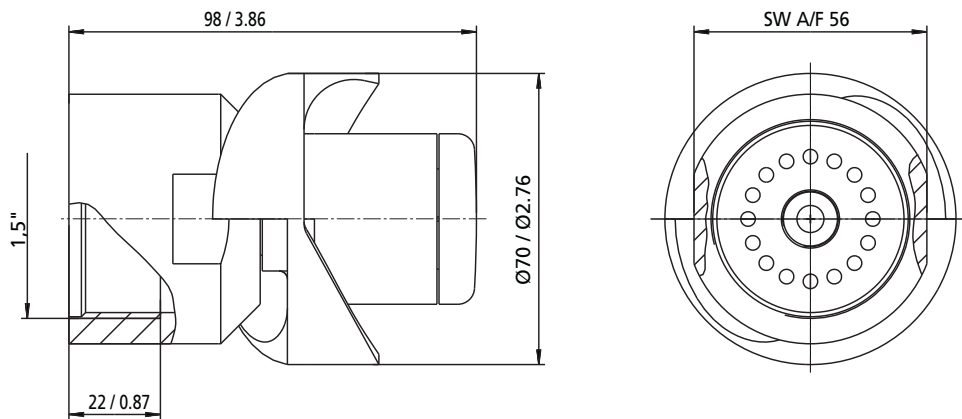
C-PTFE

Chemidisc150	
Working pressure:	2-4 bar (29 - 58 psi)
Cleaning diameter:	5 m (16.4 ft)
Flow rate:	9.8 - 13.2 m ³ /h (163 - 220 l/min / 43.1 - 58.1 USgpm)
Spray angle:	360°
Operating temperature:	max. 95 °C (203 °F)
Ambient temperature/SIP:	max. 140 °C (284 °F), 30 min
Insertion opening:	min. Ø 75 mm (2.95 inch)
Materials:	C-PTFE or PTFE
Preferred mounting position:	any

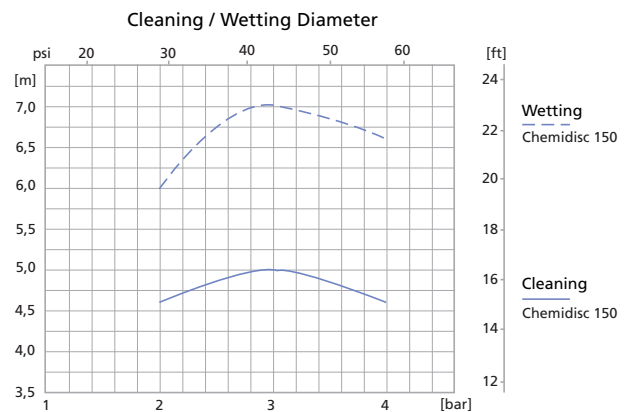
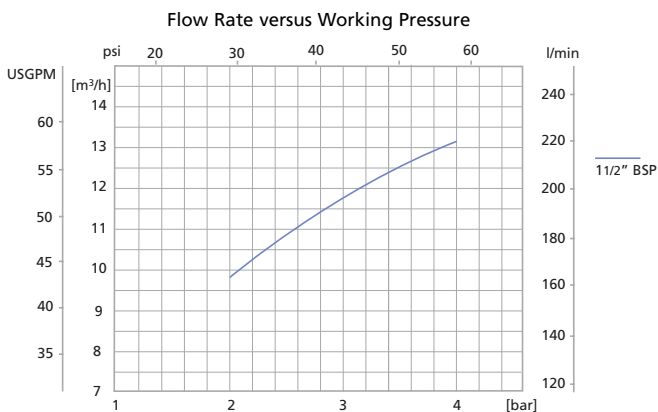
- Chemical resistant - ideal for corrosive environments
- Lightweight construction - safer in glass lined vessels
- Effective wash - due to high rotation speed

Version	Part number
1 1/2" BSP female / C-PTFE ²	4660-1112-133
1 1/2" BSP female / PTFE	4660-1114-122

² suitable for use in potentially explosive atmospheres



Dimensions (mm / inch)



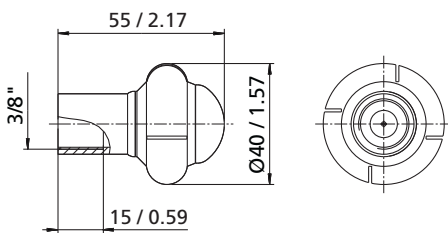


Torus 50	
Working pressure:	1 - 4 bar (14.5 - 58 psi)
Cleaning diameter:	max. 2.2 m (7.2 ft)
Flow rate:	0.9 - 2 m ³ /h (15 - 33.3 l/min / 4 - 8.8 USgpm)
Spray angle:	360° (optional 180°)
Operating temperature:	max. 65 °C (149 °F)
Ambient temperature:	max. 75 °C (167 °F), 30 min
Insertion opening:	BSP/NPT min. Ø 42 mm (1.65 inch) / Pin Fix 58 mm (2.38 inch)
Materials:	stainless steel 316L (1.4404) with PTFE or C-PTFE
Preferred mounting position:	any

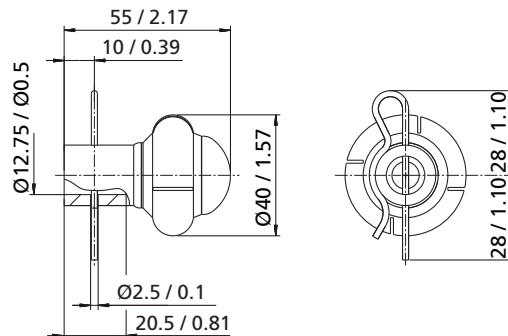
- Ultrahygienic
- Low consumption of cleaning medium
- Effective wash - due to high rotation speed
- Low working pressure

Version	Part number
3/8" BSP female / C-PTFE ²	4660-1708-113
3/8" BSP female / PTFE	4660-1723-112
3/8" NPT female / C-PTFE ²	4660-1726-213
3/8" NPT female / PTFE	4660-1726-212
Pin Fix for 1/2" OD pipe (12.7x1.6 mm) C-PTFE ²	4660-1713-413
Pin Fix for 1/2" OD pipe (12.7x1.6 mm) PTFE	4660-1724-412

² suitable for use in potentially explosive atmospheres

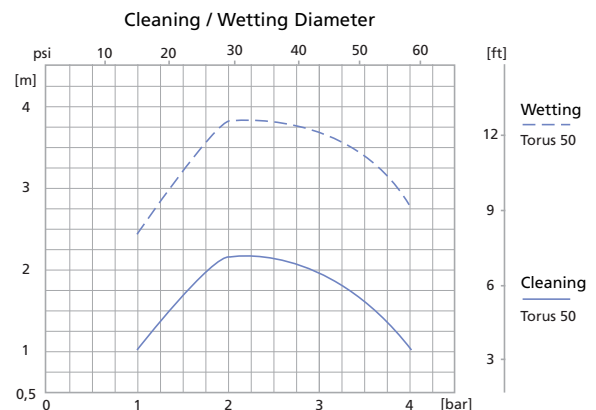
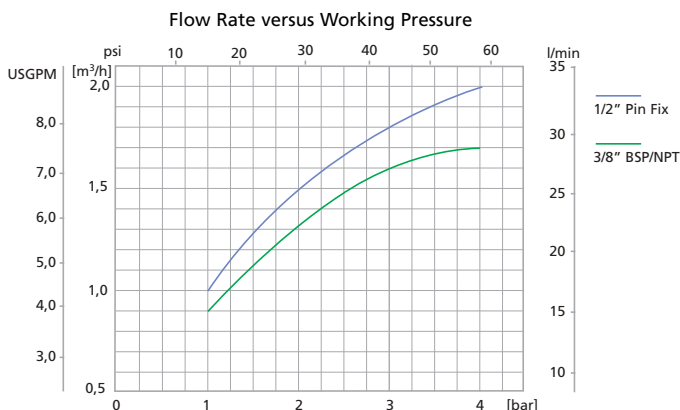


BSP female thread



Pin Fix

Dimensions (mm / inch)





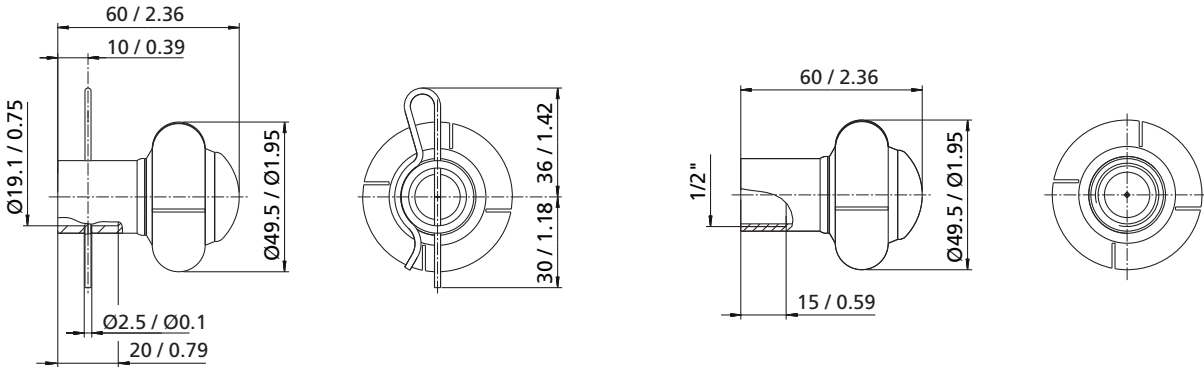
- Ultrahygienic
- Low consumption of cleaning medium
- Effective wash - due to high rotation speed
- Low working pressure

Torus 75	
Working pressure:	1 - 4 bar (14.5 - 58 psi)
Cleaning diameter:	max. 3.3 m (10.8 ft)
Flow rate:	1.8 - 4.6 m ³ /h (30 - 76.7 l/min / 7.9 - 20.3 USgpm)
Spray angle:	360° (optional 180°)
Operating temperature:	max. 65 °C (149 °F)
Ambient temperature:	max. 75 °C (167 °F), 30 min
Insertion opening:	BSP/NPT min. Ø 52 mm (2.05 inch) / Pin Fix 68 mm (2.38 inch)
Materials:	stainless steel 316L (1.4404) with PTFE or C-PTFE
Preferred mounting position:	any

Version	Part number
1/2" BSP female / C-PTFE ²	4660-1741-113
1/2" BSP female / PTFE	4660-1754-112
1/2" NPT female / C-PTFE ²	4660-1708-116
1/2" NPT female / PTFE	4660-1755-212
Pin Fix for 3/4" OD pipe (19.05x1.6) C-PTFE ²	4660-1744-413
Pin Fix for 3/4" OD pipe (19.05x1.6) PTFE	4660-1757-412

² suitable for use in potentially explosive atmospheres

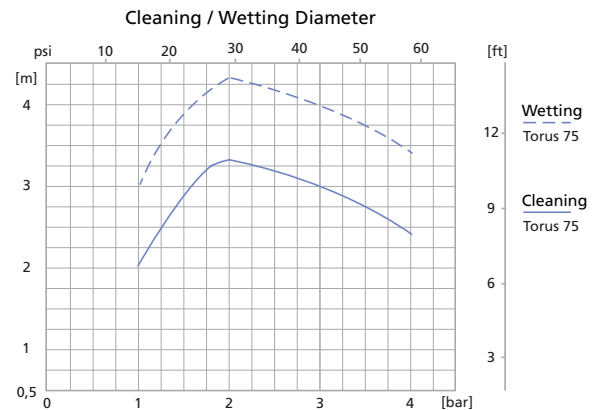
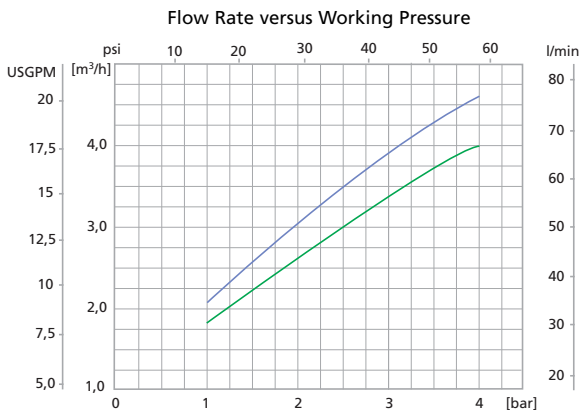
Dimensions (mm / inch)



Pin Fix

BSP female thread

Dimensions (mm / inch)



GEA Breconcherry

Rotating cleaners - Torus 100



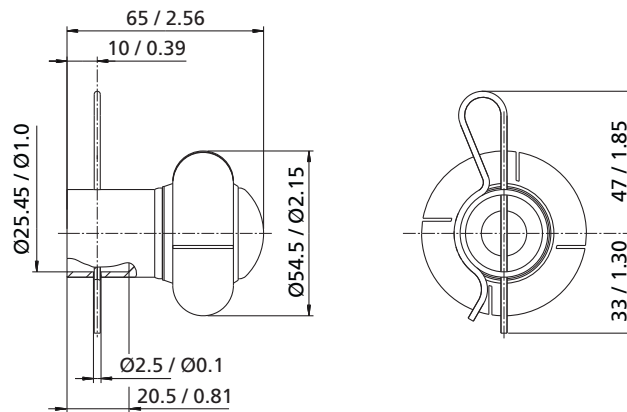
Torus 100

Working pressure:	1 - 4 bar (14.5 - 58 psi)
Cleaning diameter:	max. 4.8 m (15.7 ft)
Flow rate:	3 - 7.1 m ³ /h (50 - 118.3 l/min / 13.2 - 31.3 USgpm)
Spray angle:	360° (optional 180°)
Operating temperature:	max. 65 °C (149 °F)
Ambient temperature:	max. 75 °C (167 °F), 30 min
Insertion opening:	min. Ø 85 mm (3.35 inch)
Materials:	stainless steel 316L (1.4404) with PTFE or C-PTFE
Preferred mounting position:	any

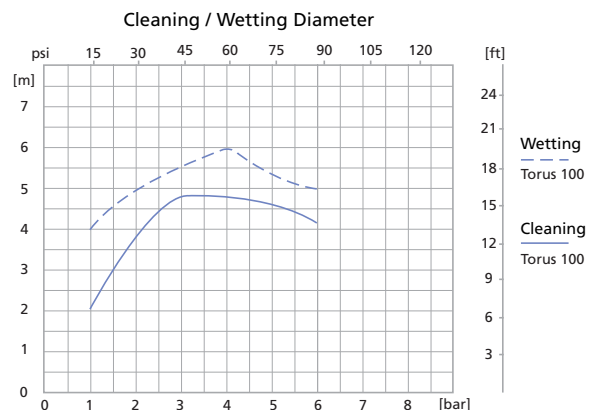
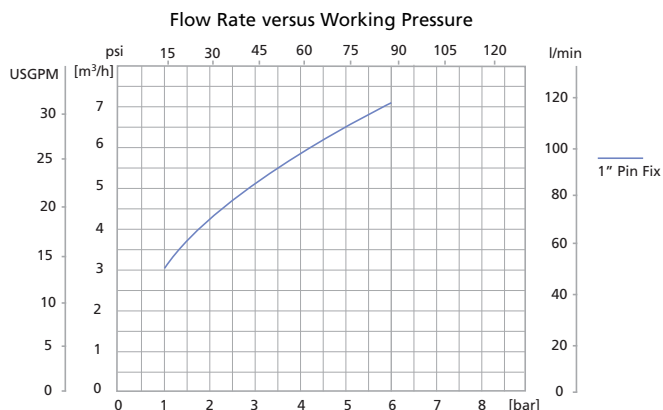
- Ultrahygienic
- Low consumption of cleaning medium
- Effective wash - due to high rotation speed
- Low working pressure

Version	Part number
Pin Fix for 1" OD pipe (25.4x1.6) / C-PTFE ²	4660-1701-413
Pin Fix for 1" OD pipe (25.4x1.6) / PTFE	4660-1704-412

² suitable for use in potentially explosive atmospheres



Dimensions (mm / inch)



GEA Breconcherry

Rotating cleaners - Chemitorus 50



PTFE



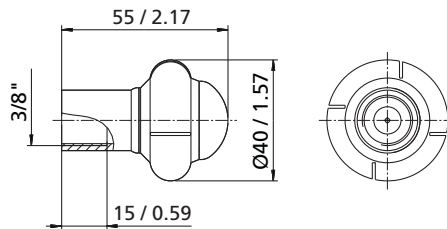
C-PTFE

Chemitorus 50	
Working pressure:	1 - 4 bar (14.5 - 58 psi)
Cleaning diameter:	max. 2.2 m (7.2 ft)
Flow rate:	0.9 - 1.7 m ³ /h (15 - 28.3 l/min / 4 - 7.5 USgpm)
Spray angle:	360° (optional 180°)
Operating temperature:	max. 65 °C (149 °F)
Ambient temperature:	max. 75 °C (167 °F), 30 min
Insertion opening:	min. Ø 42 mm (1.65 inch)
Materials:	PTFE or C-PTFE
Preferred mounting position:	any

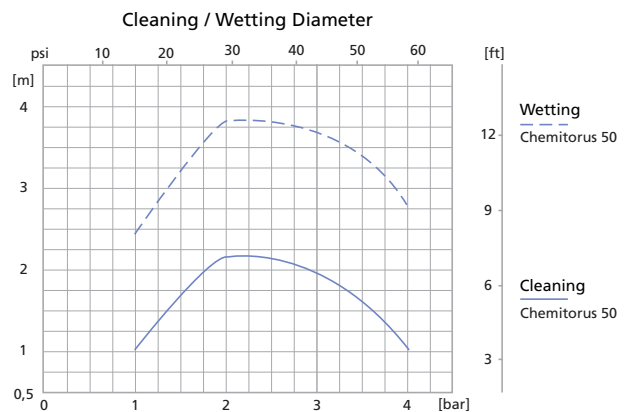
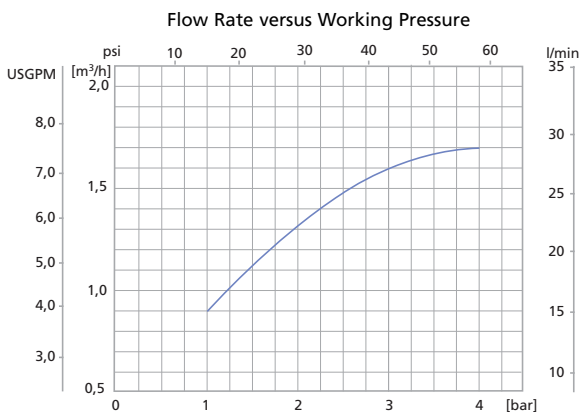
- Chemical resistant - ideal for corrosive environments
- Lightweight construction - safer in glass lined vessels
- High rotation speed
- Low working pressure

Version	Part number
3/8" BSP female / C-PTFE ²	4660-1732-033
3/8" BSP female / PTFE	4660-1735-122

² suitable for use in potentially explosive atmospheres



Dimensions (mm / inch)





PTFE

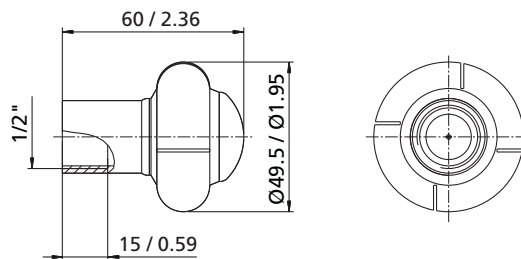
C-PTFE

Chemitorus 75	
Working pressure:	1 - 4 bar (14.5 - 58 psi)
Cleaning diameter:	max. 3.3 m (10.8 ft)
Flow rate:	1.8 - 4 m ³ /h (30 - 66.7 l/min / 7.9 - 17.6 USgpm)
Spray angle:	360° (optional 180°)
Operating temperature:	max. 65 °C (149 °F)
Ambient temperature:	max. 75 °C (167 °F), 30 min
Insertion opening:	min. Ø 52 mm (2.05 inch)
Materials:	PTFE or C-PTFE
Preferred mounting position:	any

- Chemical resistant - ideal for corrosive environments
- Lightweight construction - safer in glass lined vessels
- High rotation speed
- Low working pressure

Version	Part number
1/2" BSP female / C-PTFE ²	4660-1762-033
1/2" BSP female / PTFE	4660-1765-022

² suitable for use in potentially explosive atmospheres



Dimensions (mm / inch)

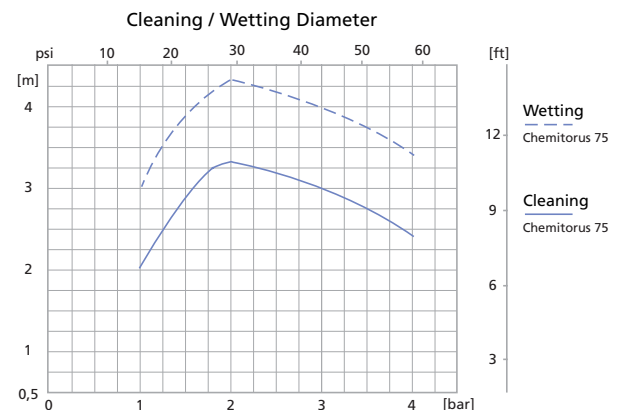
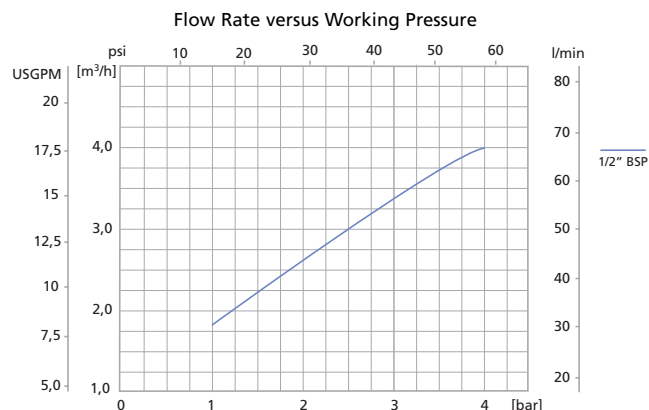


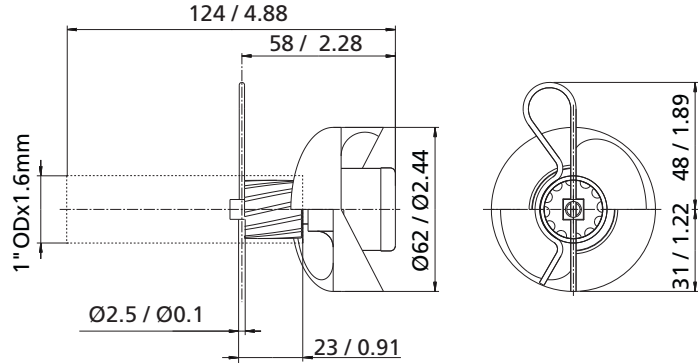


Photo shows cleaner with optional fixing tube

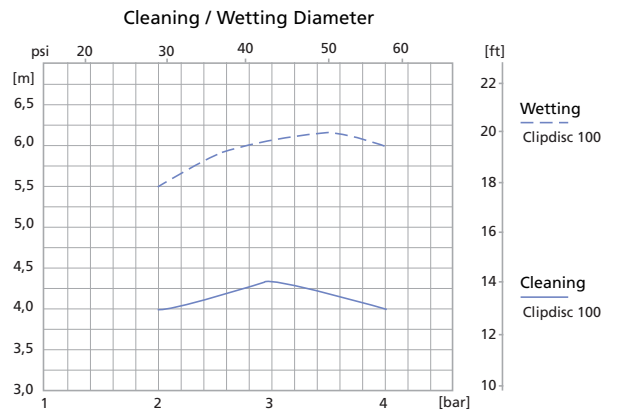
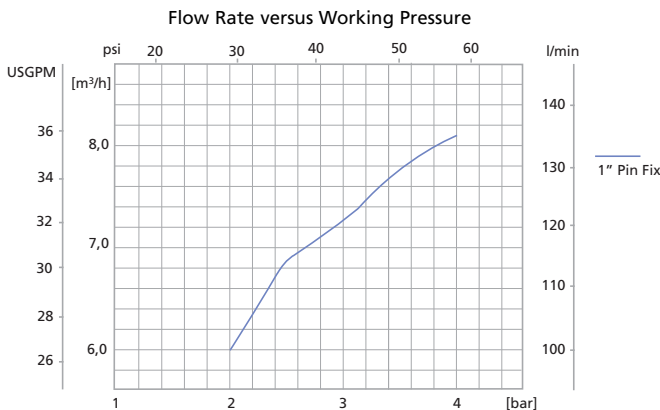
- High rotation speed
- Ultrahygienic
- Good rinsing performance

Clipdisc 100	
Working pressure:	2 - 4 bar (29 - 58 psi)
Cleaning diameter:	max. 4.3 m (14.1 ft)
Flow rate:	6 - 8.1 m ³ /h (100 -135 l/min / 26.4 - 35.7 USgpm)
Spray angle:	360°
Operating temperature:	max. 95 °C (203 °F)
Ambient temperature:	max. 140 °C (284 °F), 30 min
Insertion opening:	min. Ø 80 mm (3.15 inch)
Materials:	stainless steel 316L (1.4404) with PVDF
Preferred mounting position:	any

Version	Part number
Pin Fix for 1" OD pipe (25.4x1.6 mm)	4660-1301-507



Dimensions (mm / inch)



GEA Breconcherry

Rotating cleaners - Clipdisc 150

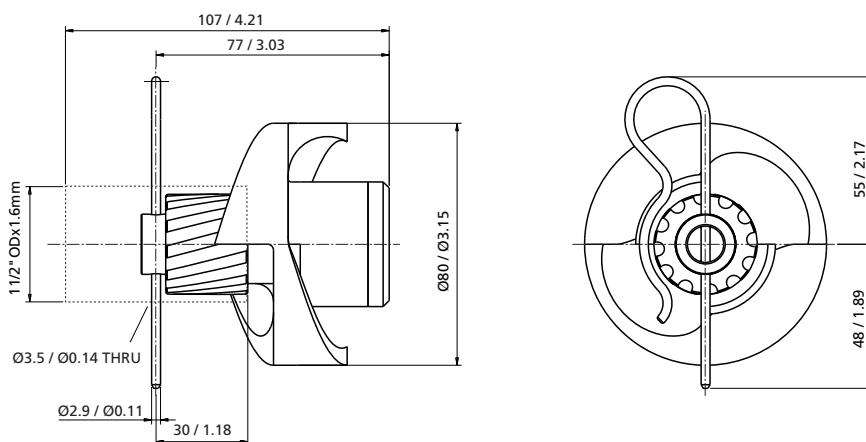


Photo shows cleaner with optional fixing tube

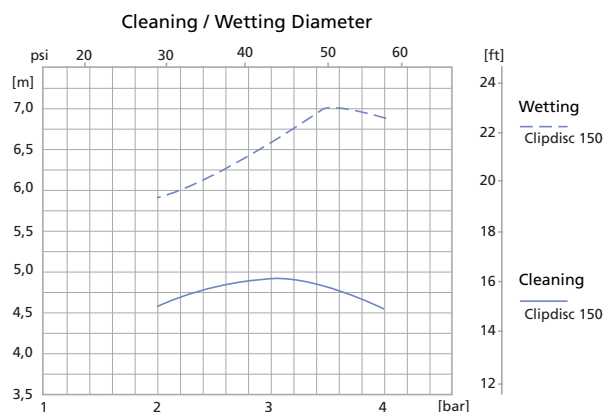
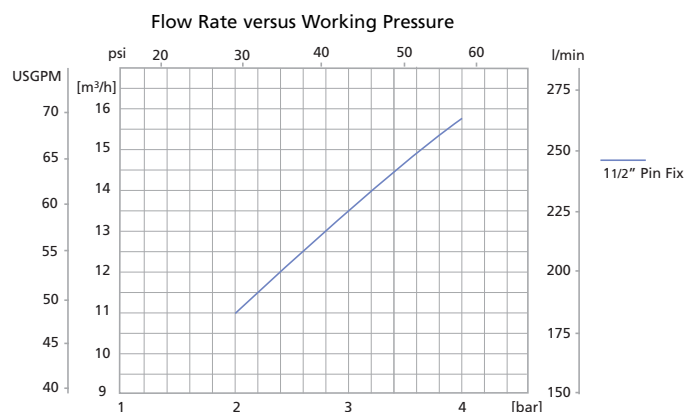
- High rotation speed
- Ultrahygienic
- Good rinsing performance

Clipdisc 150	
Working pressure:	2 - 4 bar (29 - 58 psi)
Cleaning diameter:	max. 4.9 m (16 ft)
Flow rate:	11 - 15.8 m ³ /h (183 - 263 l/min / 48.3 - 69.5 USgpm)
Spray angle:	360°
Operating temperature:	max. 95 °C (203 °F)
Ambient temperature:	max. 140 °C (284 °F), 30 min
Insertion opening:	min. Ø 110 mm (4.33 inch)
Materials:	stainless steel 316L (1.4404) with PVDF
Preferred mounting position:	any

Version	Part number
Pin Fix for 1 1/2" OD pipe (38.1x1.6 mm)	4660-1303-517



Dimensions (mm / inch)

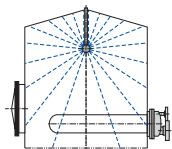




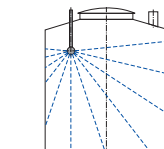
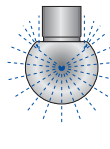
- Low pressures required
- Various possible materials and surfaces
- Variable spray patterns
- Good rinsing performance

Working pressure:	1 - 2.5 bar (14.5 - 36.3 psi)
Cleaning diameter:	up to 8 m (26.2 ft)
Flow rate:	0.9 - 66.7 m ³ /h (15 - 1,112 l/min / 4 - 294 USgpm)
Spray angle:	188° - 360°
Operating Temperature:	max. 95 °C (203 °F)
Materials:	stainless steel 316L (1.4404), 316L (1.4435), 1.4539, alloy 59 (2.4605)
Pipe connection:	clip fastening / thread
Surfaces:	matt, ground, electropolished
Preferred mounting position:	any

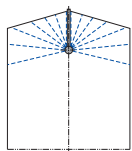
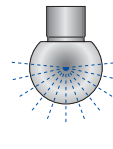
Spray patterns



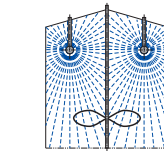
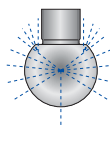
Spray pattern A for vertical tanks



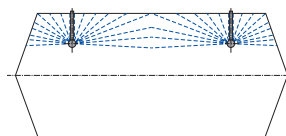
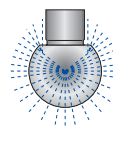
Spray pattern B for vertical tanks with open connectors at the top



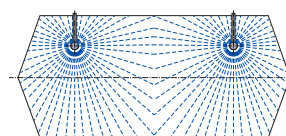
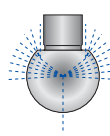
Spray pattern G for vertical tanks



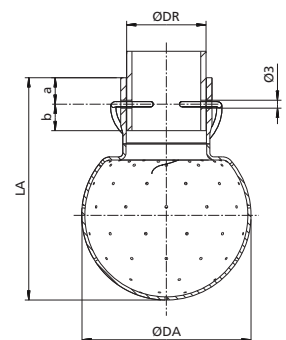
Spray pattern LA for vertical tanks



Spray pattern L for horizontal tanks



Spray pattern LA for horizontal tanks



Spray balls, dimensions, bore dimension

Material	Type 05					Type 1					Type 2		
	316L 1.4404		316 L 1.4435	1.4539	Alloy 59 2.4605	316 L 1.4404		316L 1.4435	Alloy 59 2.4605	316 L 1.4404			
Ø DR	12 [mm]	13 [mm]	1/2"OD [mm]	13.5 [mm]	13 [mm]	1/2"OD [mm]	29 [mm]	1"OD [mm]	29 [mm]	33.7 [mm]	33.7 [mm]	53 [mm]	2"OD [mm]
Ø DA	28	28	28	28	28	28	64	64	64	64	64	93	93
LA	46.6	46.6	46.6	46.6	46.6	46.6	84	84	84	84	84	113.5	113.5
b+a	18	18	16	18	18	18	20	20	20	16.5	16.5	30	30
a	10	10	8	10	10	10	10	10	10	6	6	10	10
b	8	8	8	8	8	8	10	10	10	10.5	10.5	20	20
Bore from lower edge of pipe													
b-0.2	7.8	7.8	7.8	7.8	7.8	7.8	9.8	9.8	9.8	10.3	10.3	19.8	19.8

GEA Breconcherry

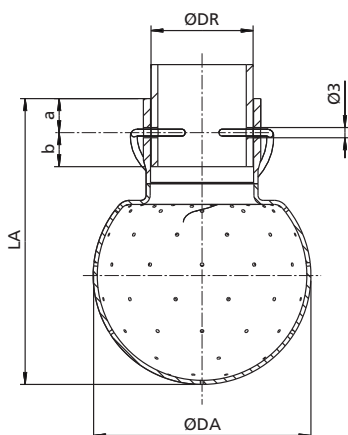
Static cleaners - spray balls

Clip fastening as per DIN 11850

Surface: matt, material : 316L (1.4404)

Type	Spray angle	Volume flow rate [m ³ /h] 1 bar	Cleaning diameter [m]	Dimensions		Connection: clip for pipe da [mm]	Part no.
				DA [mm]	LA [mm]		
A 05	360°	5.1	1.0 - 2.0	28	46.6	12	253-109.63
A 05-1.0	360°	2.8	0.8 - 1.5	28	46.6	12	253-109.73
A 05	360°	5.1	1.0 - 2.0	28	46.6	13	253-111.40
A 05-1.0	360°	2.8	0.8 - 1.5	28	46.6	13	253-111.41
A 1-1.0	360°	3.0	1.5 - 2.5	64	84.0	29	254-000044
A 1-1.5	360°	7.0	1.8 - 3.0	64	84.0	29	254-000046
A 1	360°	9.8	2.0 - 3.0	64	84.0	29	254-000030
A 1-1	360°	12.8	2.5 - 3.5	64	84.0	29	254-000031
A 1-2	360°	15.3	3.0 - 4.0	64	84.0	29	254-000032
A 2	360°	21.9	3.5 - 5.0	93	113.5	53	254-000042
A 2-1	360°	28.4	4.0 - 6.0	93	113.5	53	254-000040
A 2-2	360°	35.6	5.0 - 7.0	93	113.5	53	254-000041
A 2-3	360°	40.9	6.0 - 8.0	93	113.5	53	254-000049
B 05	192°	3.0	1.0 - 2.0	28	46.6	12	253-109.74
B 05	192°	3.0	1.0 - 2.0	28	46.6	13	253-111.42
B 1	192°	9.5	2.0 - 3.0	64	84.0	29	254-000033
B 2	194°	22.4	3.5 - 5.0	93	113.5	53	254-000050
B 2-3	194°	42.2	6.0 - 8.0	93	113.5	53	254-000053
G 05	232°	4.7	1.0 - 2.0	28	46.6	12	253-109.78
G 05	232°	4.7	1.0 - 2.0	28	46.6	13	253-111.46
G 1	206°	9.2	2.0 - 3.0	64	84.0	29	254-000036
G 1-1	206°	11.2	2.5 - 3.5	64	84.0	29	254-000037
G 1-2	206°	14.5	3.0 - 4.0	64	84.0	29	254-000038
G 2	246°	20.1	3.5 - 5.0	93	113.5	53	254-000054
G 2-1	246°	26.8	4.0 - 6.0	93	113.5	53	254-000055
G 2-2	246°	34.7	5.0 - 7.0	93	113.5	53	254-000056
G 2-3	246°	41.0	6.0 - 8.0	93	113.5	53	254-000057
L 1	188°	8.6	2.5 - 3.0	64	84.0	29	254-000045
LA 1-1.0	360°	5.5	1.5 - 2.5	64	84.0	29	254-000048
LA 1-1.5	360°	11.0	2.5 - 3.0	64	84.0	29	254-000047

Recommended operating pressure 1.0 to 2.5 bar g at inlet of spray ball



Pipes

DIN 11850 series 2 (DIN 11866 series A for external pipe dimensions)			DIN 11866 series B DIN EN ISO 1127			DIN 11866 series C ASME-BPE 2005		
DN	DR [mm]	s [mm]	DN/OD	DR [mm]	s [mm]	DN	DR [mm]	s [mm]
10	13	1.5	13.5	13.5	1.6	1/2"	12.7	1.65
15	19	1.5	17.2	17.2	1.6	3/4"	19.05	1.65
20	23	1.5	21.3	21.3	1.6			
			26.9	26.9	1.6			
25	29	1.5	33.7	33.7	2.0	1"	25.4	1.65
40	41	1.5	42.4	42.4	2.0	1 1/2"	38.1	1.65
50	53	1.5	48.3	48.3	2.0	2"	50.8	1.65

GEA Breconcherry

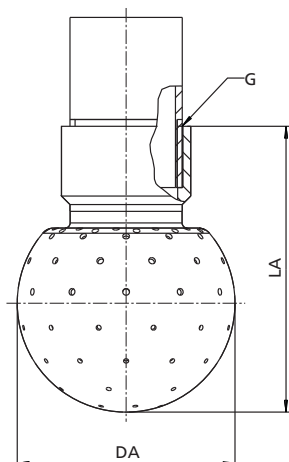
Static cleaners - spray balls

Threaded connection as per DIN ISO 228-1

Surface: matt, material: 316L (1.4404)

Type	Spray angle	Volume flow rate [m³/h] 1 bar	Cleaning diameter [m]	Dimensions		Connection: threaded sleeve	Part no.
				DA [mm]	LA [mm]		
A 05	360°	4.7	1.0 - 2.0	28	25	G 1/4"	253-106.01
A 05-1.0	360°	2.4	0.8 - 1.5	28	25	G 1/4"	253-106.26
A 1-1.0	360°	2.5	1.5 - 2.5	64	84	G 1"	253-106.34
A 1-1.5	360°	6.5	1.8 - 3.0	64	84	G 1"	253-106.35
A 1	360°	9.4	2.0 - 3.0	64	84	G 1"	253-106.10
A 1-1	360°	12.3	2.5 - 3.5	64	84	G 1"	253-106.11
A 1-2	360°	14.8	3.0 - 4.0	64	84	G 1"	253-106.12
A 2	360°	20.9	3.5 - 5.0	93	113.5	G 2"	253-106.36
A 2-1	360°	27.4	4.0 - 6.0	93	113.5	G 2"	253-106.37
A 2-2	360°	34.6	5.0 - 7.0	93	113.5	G 2"	253-106.38
A 2-3	360°	39.9	6.0 - 8.0	93	113.5	G 2"	253-106.33
B 05	192°	2.5	1.0 - 2.0	28	25	G 1/4"	253-106.02
B 1	192°	9.0	2.0 - 3.0	64	84	G 1"	253-106.13
B 2	194°	21.4	3.5 - 5.0	93	113.5	G 2"	253-106.39
B 2-3	194°	41.2	6.0 - 8.0	93	113.5	G 2"	253-106.42
G 05	232°	4.2	1.0 - 2.0	28	25	G 1/4"	253-106.22
G 1	206°	8.7	2.0 - 3.0	64	84	G 1"	253-106.19
G 1-1	206°	10.7	2.5 - 3.5	64	84	G 1"	253-106.20
G 1-2	206°	14.0	3.0 - 4.0	64	84	G 1"	253-106.21
G 2	246°	19.1	3.5 - 5.0	93	113.5	G 2"	253-106.47
G 2-1	246°	25.8	4.0 - 6.0	93	113.5	G 2"	253-106.48
G 2-2	246°	33.7	5.0 - 7.0	93	113.5	G 2"	253-106.49
G 2-3	246°	40.0	6.0 - 8.0	93	113.5	G 2"	253-106.50
L 1	188°	8.1	2.5 - 3.0	64	84	G 1"	253-106.73
LA 1-1.5	360°	10.5	2.5 - 3.0	64	84	G 1"	253-106.77

Recommended operating pressure 1.0 to 2.5 bar g at inlet of spray ball



Pipes

DIN 11850 series 2 (DIN 11866 series A for external pipe dimensions)			DIN 11866 series B DIN EN ISO 1127			DIN 11866 series C ASME-BPE 2005		
DN	DR [mm]	s [mm]	DN/OD	DR [mm]	s [mm]	DN	DR [mm]	s [mm]
10	13	1.5	13.5	13.5	1.6	1/2"	12.7	1.65
15	19	1.5	17.2	17.2	1.6	3/4"	19.05	1.65
20	23	1.5	21.3	21.3	1.6			
			26.9	26.9	1.6			
25	29	1.5	33.7	33.7	2.0	1"	25.4	1.65
40	41	1.5	42.4	42.4	2.0	1 1/2"	38.1	1.65
50	53	1.5	48.3	48.3	2.0	2"	50.8	1.65

GEA Breconcherry

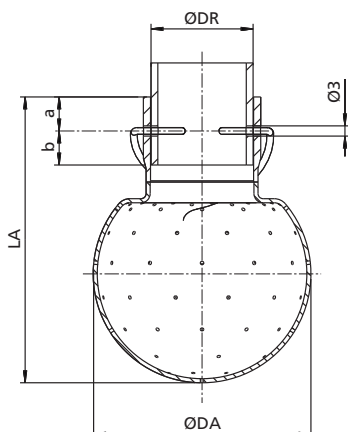
Static cleaners - spray balls

Clip fastening with inch OD

Surface: ground, outside Ra <= 0.8 µm, material: 316L (1.4404)

Type	Spray angle	Volume flow rate [m³/h] 1 bar	Cleaning diameter [m]	Dimensions		Connection: clip for pipe inch OD [mm]	Part no.
				DA [mm]	LA [mm]		
A 05	360°	5.1	1.0 - 2.0	28	46.6	1/2" (12.7)	253-109.42
A 05-1.0	360°	2.8	0.8 - 1.5	28	46.6	1/2" (12.7)	253-111.43
A 1-1.0	360°	3.0	1.5 - 2.5	64	84.0	1" (25.4)	253-111.48
A 1-1.5	360°	7.0	1.8 - 3.0	64	84.0	1" (25.4)	253-111.49
A 1	360°	9.8	2.0 - 3.0	64	84.0	1" (25.4)	253-109.43
A 1-1	360°	12.8	2.5 - 3.5	64	84.0	1" (25.4)	253-109.44
A 1-2	360°	15.3	3.0 - 4.0	64	84.0	1" (25.4)	253-109.47
A 2	360°	21.9	3.5 - 5.0	93	113.5	2" (50.8)	253-109.49
A 2-1	360°	28.4	4.0 - 6.0	93	113.5	2" (50.8)	253-109.52
A 2-2	360°	35.6	5.0 - 7.0	93	113.5	2" (50.8)	253-109.54
A 2-3	360°	40.9	6.0 - 8.0	93	113.5	2" (50.8)	253-109.59
B 05	192°	3.0	1.0 - 2.0	28	46.6	1/2" (12.7)	253-111.44
B 1	192°	9.5	2.0 - 3.0	64	84.0	1" (25.4)	253-109.50
B 2	194°	22.4	3.5 - 5.0	93	113.5	2" (50.8)	253-111.51
B 2-3	194°	42.2	6.0 - 8.0	93	113.5	2" (50.8)	253-111.54
G 05	232°	4.7	1.0 - 2.0	28	46.6	1/2" (12.7)	253-111.45
G 1	206°	9.2	2.0 - 3.0	64	84.0	1" (25.4)	253-109.06
G 1-1	206°	11.2	2.5 - 3.5	64	84.0	1" (25.4)	253-109.45
G 1-2	206°	14.5	3.0 - 4.0	64	84.0	1" (25.4)	253-109.48
G 2	246°	20.1	3.5 - 5.0	93	113.5	2" (50.8)	253-109.07
G 2-1	246°	26.8	4.0 - 6.0	93	113.5	2" (50.8)	253-109.53
G 2-2	246°	34.7	5.0 - 7.0	93	113.5	2" (50.8)	253-109.55
G 2-3	246°	41.0	6.0 - 8.0	93	113.5	2" (50.8)	253-111.55
L 1	188°	8.6	2.5 - 3.0	64	84.0	1" (25.4)	253-111.37
LA 1-1.0	360°	5.5	1.5 - 2.5	64	84.0	1" (25.4)	253-111.65
LA 1-1.5	360°	11.0	2.5 - 3.0	64	84.0	1" (25.4)	253-111.62

Recommended operating pressure 1.0 to 2.5 bar g at inlet of spray ball



Pipes

DIN 11850 series 2 (DIN 11866 series A for external pipe dimensions)			DIN 11866 series B DIN EN ISO 1127			DIN 11866 series C ASME-BPE 2005		
DN	DR [mm]	s [mm]	DN/OD	DR [mm]	s [mm]	DN	DR [mm]	s [mm]
10	13	1.5	13.5	13.5	1.6	1/2"	12.7	1.65
15	19	1.5	17.2	17.2	1.6	3/4"	19.05	1.65
20	23	1.5	21.3	21.3	1.6			
			26.9	26.9	1.6			
25	29	1.5	33.7	33.7	2.0	1"	25.4	1.65
40	41	1.5	42.4	42.4	2.0	1 1/2"	38.1	1.65
50	53	1.5	48.3	48.3	2.0	2"	50.8	1.65

GEA Breconcherry

Static cleaners - spray balls - special material

Clip fastening as per DIN 11850

Surface: electropolished*, outside Ra <= 0.5 µm, material: 1.4435, Fe<1%

Type	Spray angle	Volume flow rate [m³/h] 1 bar	Cleaning diameter [m]	Dimensions		Connection: clip for pipe [mm]	Part no.
				DA [mm]	LA [mm]		
A 1-1.0	360°	3.0	1.5 - 2.5	64	84	29	253-111.83
A 1-1.5	360°	7.0	1.8 - 3.0	64	84	29	253-111.84
A 1	360°	9.8	2.0 - 3.0	64	84	29	253-111.82
LA 1-1.0	360°	5.5	1.5 - 2.5	64	84	29	253-111.80
LA 1-1.5	360°	11.0	2.5 - 3.0	64	84	29	253-111.81

Clip fastening as per ISO

Surface: electropolished*, outside Ra <= 0.5 µm, material: 1.4435, Fe<1%

Type	Spray angle	Volume flow rate [m³/h] 1 bar	Cleaning diameter [m]	Dimensions		Connection: clip for pipe ISO [mm]	Part no.
				DA [mm]	LA [mm]		
A 05	360°	5.1	1.0 - 2.0	28	46.6	13.5	253-111.78
A 05-1.0	360°	2.8	0.8 - 1.5	28	46.6	13.5	253-111.79
A 1-1.0	360°	3.0	1.5 - 2.5	64	84.0	33.7	253-111.88
A 1-1.5	360°	7.0	1.8 - 3.0	64	84.0	33.7	253-111.87
LA 1-1.0	360°	5.5	1.5 - 2.5	64	84.0	33.7	253-111.85
LA 1-1.5	360°	11.0	2.5 - 3.0	64	84.0	33.7	253-111.86

Clip fastening, OD and ISO

Surface: electropolished*, outside Ra <= 0.5 µm, material: 2.4605/2.4602

Type	Spray angle	Volume flow rate [m³/h] 1 bar	Cleaning diameter [m]	Dimensions		Connection: clip OD/ISO	Part no.
				DA [mm]	LA [mm]		
A 05	360°	5.1	1.0 - 2.0	28	48	1/2" (12.7)	253-111.76
A 05-1.0	360°	2.8	0.8 - 1.5	28	48	1/2" (12.7)	253-111.77
A 1-1.0	360°	3.0	1.5 - 2.5	64	85	33.7	253-111.68
A 1-1.5	360°	7.0	1.8 - 3.0	64	85	33.7	253-111.69

Threaded connection as per DIN ISO 228-1

Surface: electropolished*, outside Ra <= 0.5 µm, material: 2.4605/2.4602

Type	Spray angle	Volume flow rate [m³/h] 1 bar	Cleaning diameter [m]	Dimensions		Connection: sleeve G	Part no.
				DA [mm]	LA [mm]		
A 05	360°	4.7	1.0 - 2.0	28	48	G 1/4"	253-106.78
A 05-1.0	360°	2.4	0.8 - 1.5	28	48	G 1/4"	253-106.79

* Attention: the flow rate for electropolished spray balls made from 316L (1.4435) and spray balls made from alloy 59 (2.4605) (Hastelloy® C22/2.4602) may turn out to be 15-20% than the volume flows given in the table.

Threaded connection as per DIN ISO

Surface: matt, material: 1.4539

Type	Spray angle	Volume flow rate [m³/h] 1 bar	Cleaning diameter [m]	Dimensions		Connection: sleeve G	Part no.
				DA [mm]	LA [mm]		
A 05	360°	4.7	1.0 - 2.0	28	25	G 1/4"	253-106.68

Recommended operating pressure 1.0 to 2.5 bar g at inlet of spray ball

GEA Breconcherry

Static cleaners - spray balls - volume flow rates

Spray balls with clip fastening

Recommended operating pressure at the inlet of the spray ball

Type	Spray angle	Cleaning diameter [m]	Recommended pressure					
			Tanks without fixtures		Tanks with fixtures such as agitators			
			1 bar g [m³/h]	1.5 bar g [m³/h]	1.8 bar g [m³/h]	2.0 bar g [m³/h]	2.2 bar g [m³/h]	2.5 bar g [m³/h]
A 05	360°	1.0 - 2.0	5.1	6.2	6.8	7.2	7.6	8.1
A 05-1.0	360°	0.8 - 1.5	2.8	3.4	3.8	4.0	4.2	4.4
A 1-1.0	360°	1.5 - 2.5	3.0	3.7	4.0	4.2	4.4	4.7
A 1-1.5	360°	1.8 - 3.0	7.0	8.6	9.4	9.9	10.4	11.1
A 1	360°	2.0 - 3.0	9.8	12.0	13.1	13.9	14.5	15.5
A 1-1	360°	2.5 - 3.5	12.8	15.7	17.2	18.1	19.0	20.2
A 1-2	360°	3.0 - 4.0	15.3	18.7	20.5	21.6	22.6	24.1
A 2	360°	3.5 - 5.0	21.9	26.8	29.4	31.0	32.5	34.6
A 2-1	360°	4.0 - 6.0	28.4	34.8	38.2	40.2	42.2	45.0
A 2-2	360°	5.0 - 7.0	35.6	43.6	47.8	50.3	52.8	56.3
A 2-3	360°	6.0 - 8.0	40.9	50.1	54.9	57.8	60.7	64.7
B 05	192°	1.0 - 2.0	3.0	3.7	4.0	4.2	4.4	4.7
B 1	192°	2.0 - 3.0	9.5	11.6	12.7	13.4	14.1	15.0
B 2	194°	3.5 - 5.0	22.4	27.4	30.1	31.7	33.2	35.4
B 2-3	194°	6.0 - 8.0	42.2	51.7	56.6	59.7	62.6	66.7
G 05	232°	1.0 - 2.0	4.7	5.8	6.3	6.6	7.0	7.4
G 1	206°	2.0 - 3.0	9.2	11.3	12.3	13.0	13.6	14.5
G 1-1	206°	2.5 - 3.5	11.2	13.7	15.0	15.8	16.6	17.7
G 1-2	206°	3.0 - 4.0	14.5	17.8	19.5	20.5	21.5	22.9
G 2	246°	3.5 - 5.0	20.1	24.6	27.0	28.4	29.8	31.8
G 2-1	246°	4.0 - 6.0	26.8	32.8	36.0	37.9	39.8	42.4
G 2-2	246°	5.0 - 7.0	34.7	42.5	46.6	49.1	51.5	54.9
G 2-3	246°	6.0 - 8.0	41.0	50.2	55.0	58.0	60.8	64.8
L 1	188°	2.5 - 3.0	8.6	10.5	11.5	12.2	12.8	13.6
LA 1-1.0	360°	1.5 - 2.5	5.5	6.7	7.4	7.8	8.2	8.7
LA 1-1.5	360°	2.5 - 3.0	11.0	13.5	14.8	15.6	16.3	17.4

Attention: the flow rate for electropolished spray balls made from 316L (1.4435) and spray balls made from alloy 59 (2.4605) (Hastelloy® C22/2.4602) may turn out to be 15-20% than the volume flows given in the table.

Conversion formula for other volume flow rates: $Q_2 = Q_1 \times \sqrt{p_2 / p_1}$ [m³/h]

General guidance 30-50 l/min per meter tank circumference



GEA Breconcherry

Static cleaners - spray balls - volume flow rates

Spray balls with threaded connection

Recommended operating pressure at the inlet of the spray ball

Type	Spray angle	Cleaning diameter [m]	Recommended pressure					
			Tanks without fixtures 1 bar g [m ³ /h]	1.5 bar g [m ³ /h]	Tanks with fixtures such as agitators 1.8 bar g [m ³ /h]	2.0 bar g [m ³ /h]	2.2 bar g [m ³ /h]	2.5 bar g [m ³ /h]
A 05	360°	1.0- 2.0	4.7	5.8	6.3	6.6	7.0	7.4
A 05-1.0	360°	0.8- 1.5	2.4	2.9	3.2	3.4	3.6	3.8
A 1-1.0	360°	1.5- 2.5	2.5	3.1	3.4	3.5	3.7	4.0
A 1-1.5	360°	1.8- 3.0	6.5	8.0	8.7	9.2	9.6	10.3
A 1	360°	2.0- 3.0	9.4	11.5	12.6	13.3	13.9	14.9
A 1-1	360°	2.5- 3.5	12.3	15.1	16.5	17.4	18.2	19.4
A 1-2	360°	3.0- 4.0	14.8	18.1	19.9	20.9	22.0	23.4
A 2	360°	3.5- 5.0	20.9	25.6	28.0	29.6	31.0	33.0
A 2-1	360°	4.0- 6.0	27.3	33.4	36.6	38.6	40.5	43.2
A 2-2	360°	5.0-7.0	34.6	42.4	46.4	48.9	51.3	54.7
A 2-3	360°	6.0- 8.0	39.9	48.9	53.5	56.4	59.2	63.1
B 05	192°	1.0- 2.0	2.5	3.1	3.4	3.5	3.7	4.0
B 1	192°	2.0- 3.0	9.0	11.0	12.1	12.7	13.3	14.2
B 2	194°	3.5- 5.0	21.4	26.2	28.7	30.3	31.7	33.8
B 2-3	194°	6.0- 8.0	41.2	50.5	55.3	58.3	61.1	65.1
G 05	232°	1.0- 2.0	4.2	5.1	5.6	5.9	6.2	6.6
G 1	206°	2.0- 3.0	8.7	10.7	11.7	12.3	12.9	13.8
G 1-1	206°	2.5- 3.5	10.7	13.1	14.4	15.1	15.9	16.9
G 1-2	206°	3.0- 4.0	14.0	17.1	18.8	19.8	20.8	22.1
G 2	246°	3.5- 5.0	19.1	23.4	25.6	27.0	28.3	30.2
G 2-1	246°	4.0- 6.0	25.8	31.6	34.6	36.5	38.3	40.8
G 2-2	246°	5.0-7.0	33.7	41.3	45.2	47.7	50.0	53.3
G 2-3	246°	6.0- 8.0	40.0	49.0	53.7	56.6	59.3	63.2
L 1	188°	2.5- 3.0	8.1	9.9	10.9	11.5	12.0	12.8
LA 1-1.5	360°	2.5- 3.0	10.5	12.9	14.1	14.8	15.6	16.6

Attention: the flow rate for electropolished spray balls made from 316L (1.4435) and spray balls made from alloy 59 (2.4605) (Hastelloy® C22/2.4602) may turn out to be 15-20% than the volume flows given in the table.

Conversion formula for other volume flow rates: $Q_2 = Q_1 \times \sqrt{p_2 / p_1}$ [m³/h]

General guidance 30-50 l/min per meter tank circumference



GEA Breconcherry

Retractor - In-Line Sprayer, type IS 25



Working pressure:	1.8 - 2.5 bar (26.1 - 36.3 psi)
Flow rate:	2.9 - 5.4 m ³ /h (48.3 - 90.4 l/min. / 12.8 - 23.8 USpgm)
Cleaning diameter:	max. 1.6 m (5.2 ft)
Spray angle:	192° - 360°
Materials:	product wetted 316L (1.4435) with EPDM / FKM or FFKM not product wetted 316 (1.4301) with NBR
Weight:	approx. 6 kg (13.23 lbs)
Preferred mounting position:	any

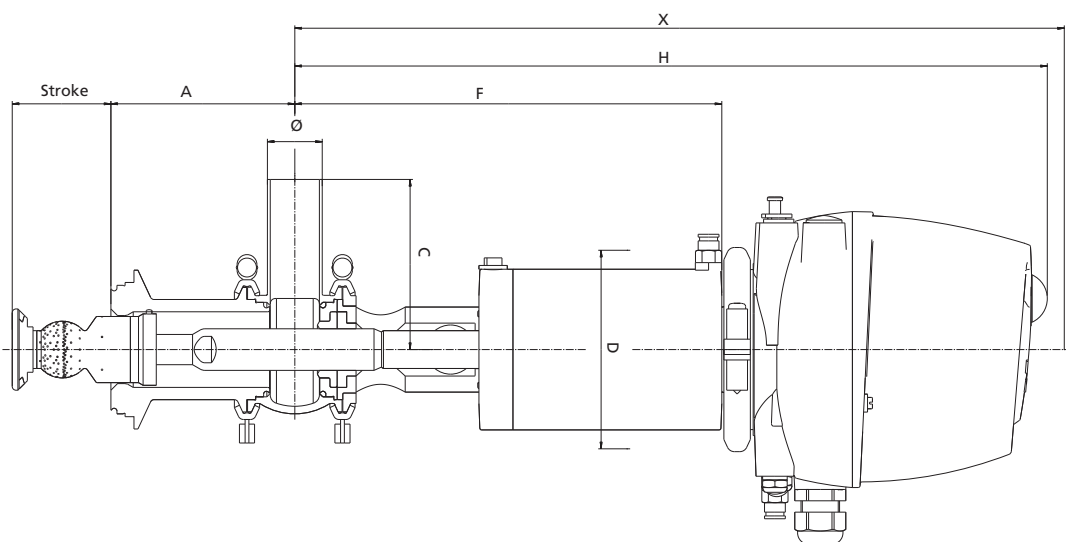


In-Line Sprayer in open position

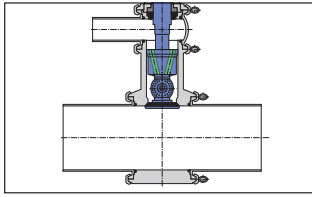


In-Line Sprayer in closed position

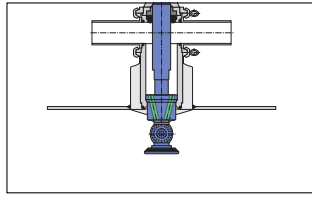
- Spray head is not in the process during production
- Low pressures required
- Huge savings on cleaning agents due to targeted cleaning
- Demonstrable process reliability and functional reliability
- Range of seal materials
- Feedback sensor (optional)



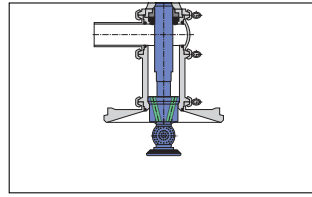
		Nominal size	Ø	A	C	D	F	H	X	Stroke
Metric	Outside diameter as per DIN 11850, series II, DIN 11866, series A	DN 25	29.0x1.5	98	90	85	226	366	450	56
ISO	Outside diameter as per DIN EN ISO 1127	ISO 33.7	33.7x2	99.5	114.3	85	227.5	366	450	56



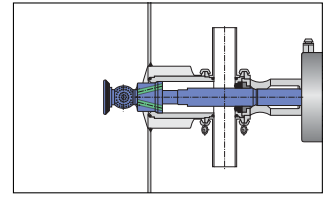
Housing connection for VARINLINE® housing DN 80 to DN 150, 4" OD and 6" IPS



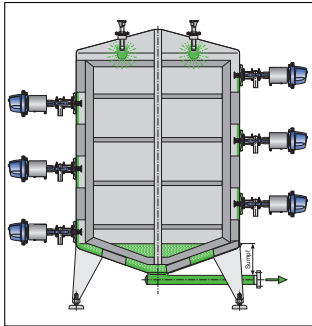
Housing connection IS-Roh for welding in, for pipe from DN 200 to DN 400



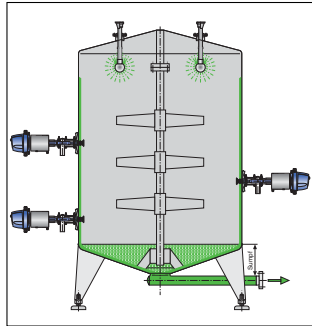
Tank weld-in flange T50/40 for welding into tank floors or tank shells



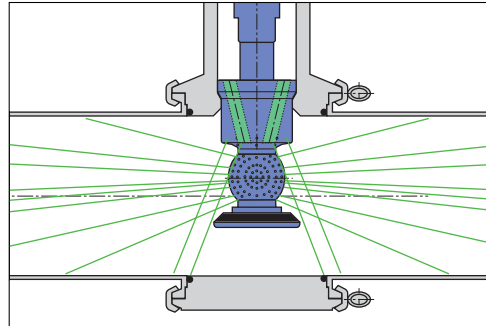
Housing connection IS-T for welding into a tank shell



Installation in tanks with scraper

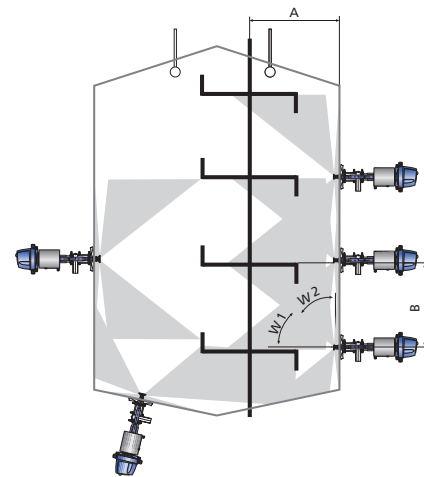


Installation in tanks with agitator

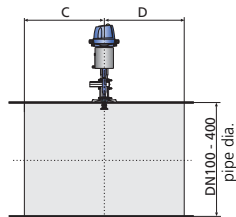


Installation with VARINLINE® housing in a pipeline

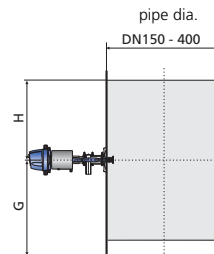
Areas of application and cleaning angles



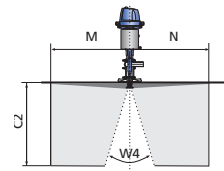
Agitator tank



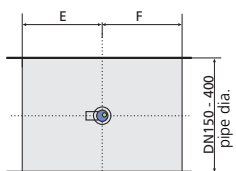
Horizontal pipe, installation from the top



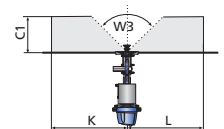
Vertical pipe



Tank, installation from the top



Horizontal pipe, installation from the side, 90°



Tank, installation from the bottom

Data in [mm and °]	A	B	W1	W2	C	D	E	F	G	H	K	L	C1	W3	M	N	C2	W4
Spray hole B 0.6 mm	1,000	1,200	48°	34°	800	800	700	700	2,000	300	900	900	800	98°	900	900	2,000	90°
Spray hole B 0.8 mm	1,500	1,500	48°	34°	800	800	700	700	2,500	700	900	900	800	98°	900	900	2,000	90°

Two types of spray heads are available:
Spray head B 06 (all holes 0.6 mm)
Spray head B 08 (all holes 0.8 mm)

Flow rates (optimum operating pressure 1.8 to 2.5 bar)					
Pressure [bar]	1.5	1.8	2.0	2.2	2.5
Flow rate B 0.6 [m³/h]	2.9	3.2	3.4	3.5	3.8
Flow rate B 0.8 [m³/h]	4.2	4.6	4.8	5.1	5.4

Code	IS 25	D	T	01	0	0	1	K	00	2	0	
Item	1	2	3	4	5	6	7	8	9	10	11	
Example	Item	Designation	Code options for selection									
IS 25	1	Type	IS 25 In_Line Sprayer DN 25									
D	2	Nominal size standard	D	DN 25 DIN (29x1.5 mm)								
			S	DIN EN ISO (33.7x2.0 mm)								
T	3	Housing	L	with 1 socket 1.4435								
			T	with 2 sockets 1.4435								
01	4	Spray ball	01	Spray head B 0.6								
			05	Spray head B 0.8								
0	5	Pressure supply port per connector neck ¹	0	Welded end								
			NFK	Hygienic grooved flange, DIN 11864-2, DIN 11853-2								
			ASN	Aseptic flange connection, DIN 11864-2								
			ASK	Hygienic flange connection, DIN 11864-2, DIN 11853-2								
			AVK	Hygienic screwed union, DIN 11864-1, DIN 11853-2								
			AVN	Aseptic screwed union, DIN 11864-1								
			TN	VARIVENT® grooved flange with O-ring and connecting components								
			TK	VARIVENT® flange connection, grooved flange on housing								
0	6	Process connection ²	1	Tank weld-in flange T 50/40 1.4404								
			3	Tank weld-in flange T 50/40 1.4435								
			5	Housing connection for VARINLINE® housing ³ (DN80-150/4"-6" OD/IPS)								
			8	Adaptable housing connection IS-Roh for pipes								
			2	Housing connection IS-T 1.4435 / 316L								
1	7	Seal materials, in contact with product	1	EPDM								
			2	FKM								
			4	FFKM								
K	8	Usage	K	Not in ATEX zones								
			E	In ATEX zones (valid for zones 1, 2, 21, 22)								
00	9	Feedback ⁴	-	No feedback								
			M	With proximity switch holder								
			M2	With proximity switch holder and 2 proximity switches								
			M1	With proximity switch holder and 1 proximity switch								
			T	Feedback module T.VIS® M1 with 2 feedback components and 1 pilot valve 24V								
			A	ATEX feedback module ECOVENT® with 2 proximity switches 24V and 1 pilot valve 24V								
2	10	Surface quality of housing	2	Inside Ra 0.8 µm, outside matt								
			3	Inside Ra 0.8 µm, outside polished								
			4	Inside Ra 0.4 µm, outside matt								
			8	Inside Ra 0.4 µm, outside polished								
0	11	Certificates	K	No certificate								
			W	(41) With factory certificate 2.2 DIN EN10204								
			Z	(42) With material test certificate 3.1 DIN EN10204								

¹ Only with EPDM seal

² Optional: weld-in device, part number 254-000271

³ VARINLINE® housing must be ordered separately

⁴ Other feedback components can be selected under T.VIS® feedback systems

GEA Breconcherry

Retractor MR 1 / MR 2



MR 1
open position
without sensor

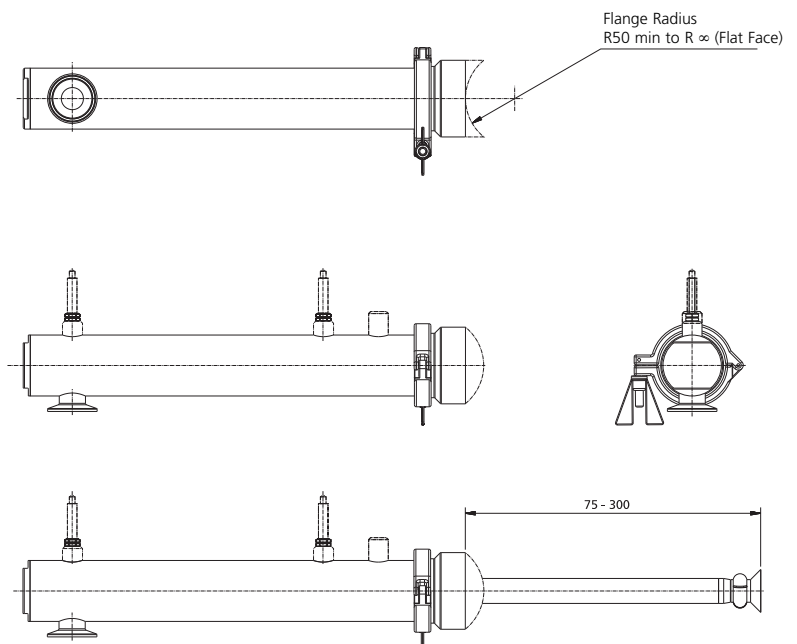
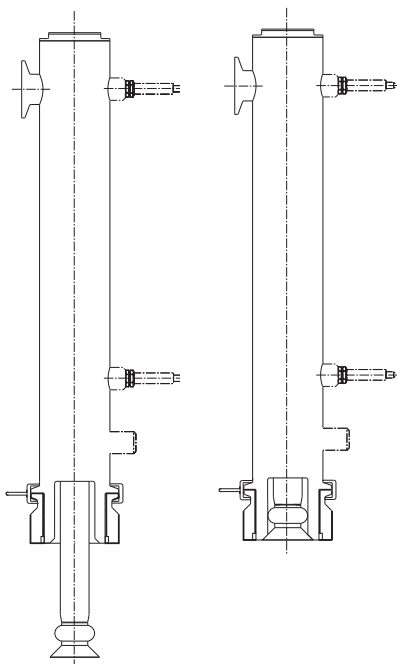


MR 2
closed position
2 sensors

	MR1	MR2
Operation:	spring to close	Liquid to open air/gas to retract and maintain closure
Working pressure:	3 - 4 bar (43.5 - 58 psi)	
Air / gas purge pressure:	0.5 bar (7.25 psi)	
Air pressure to retract / maintain closure:	—	2 bar (29 psi)
Materials: product wetted	316L (1.4404) / PTFE and C-PTFE / EPDM 316 (1.4401) (MR1 spring only)	
Weight:	approx. 6 kg (13.23 lbs) for standard	
Preferred mounting position:	vertically down to horizontal	

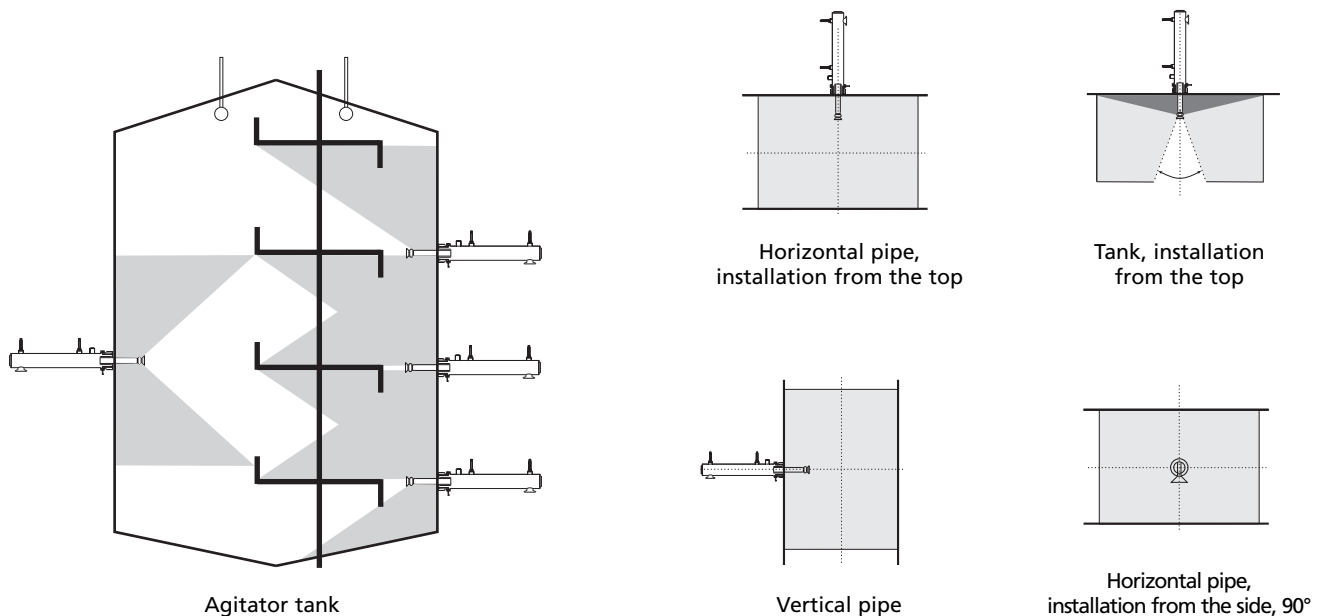
Three types of sprayheads available	max. cleaning diameter		flow rate		
	m	ft	m ³ /h	l/min.	USgpm
Torus	4	13.7	2.8 - 3.1	47 - 52	12.3 - 13.7
Chemidisc 25	1.5	4.9	3.0 - 3.6	50 - 60	13.2 - 15.9
Chemidisc 75	3	9.8	4.7 - 5.4	78 - 90	20.6 - 23.8

- Sprayhead is not in the product space during production
- Hygienic design
- Flush retraction
- Fast effective wash



Code	MR1	100	1	1	2	1	1	1	0	1	0
Item	1	2	3	4	5	6	7	8	9	10	11
Example	Item	Designation	Code options for selection								
MR1	1	type	MR1	Retractor MR1 (spring to close)							
			MR2	Retractor MR2 (air to close 1/4" BSP female connection)							
100	2	insertion length	075	75 mm min (2.95 inch)							
			300	300 mm (11.81 inch) max							
1	3	CIP and gas purge connection	1	DIN 25 Clamp flange							
			2	ISO 1" OD Clamp flange							
			3	1" BS 4825-3 Clamp flange							
				other connections on request							
1	4	weld in flange	1	Weld end with flat face							
			2	Weld end with R 50 to R ∞ (flat face) on request							
2	5	connection for weld in flange	1	DIN 65 Clamp flange							
			2	ISO 2.5" OD Clamp flange							
			3	2.5" BS 4825-3 Clamp flange							
1	6	type of wash head	1	Torus (wash head and seal)							
			2	Chemidisc 25							
			3	Chemidisc 75							
1	7	seal material wetted product	1	PTFE							
			2	C-PTFE							
1	8	elastomer seals	1	EPDM							
			2	FKM							
			4	VMQ							
1	9	feedback	0	no feedback							
			1	1 magnetic proximity sensor (open)							
			2	1 magnetic proximity sensor (close)							
			3	2 magnetic proximity sensors I FM (open and close)							
1	10	surface quality	1	machine finish inside (generally Ra 0.8 to 1.6), Ra 0.8 µm outside mechanically polished up to Ra 0.4 µm outside mechanically polished on request							
0	11	certificates	0	No certificate							
			W	(41) With factory certificate 2.2 DIN EN10204							
			Z	(42) With material test certificate 3.1 DIN EN10204							
			S	Certificate Set incl. 3.1, FDA							

Areas of application





- Aseptic measuring point
- Elastomer-free seal
- FDA/EHEDG compliant



Tempest with monitoring sensor SMW 100

To verify the operation of orbital cleaning devices

Weld-in sleeve system:	GEA Breconcherry
Material:	housing 1.4305
Parts in contact with media:	PEEK
Supply voltage:	18...32 VDC
Non-load power requirement:	< 20 mA
Active output signal:	max. 50 mA (PNP)
Time delay:	< 0.3 s
Response time:	< 75 ms
Ambient temperature:	-10 – + 70 °C
Process temperature:	0...+100 °C
CIP / SIP cleaning:	0...150 °C (max. 30 min.)
IP protection:	IP 65 / 67
Operating pressure:	max. 10 bar (145 psi)

Usage in water and water-based cleaning fluids

Kinematic viscosity	1.004 x 10 m ² /s
Conductivity	0.05 S/m

Type	Part number
Sensor SMW 100 (to monitor the functioning of orbital cleaners)	
With weld-in sleeve	222-000015
Without weld-in sleeve	222-000013



To verify operation of orbital wash heads

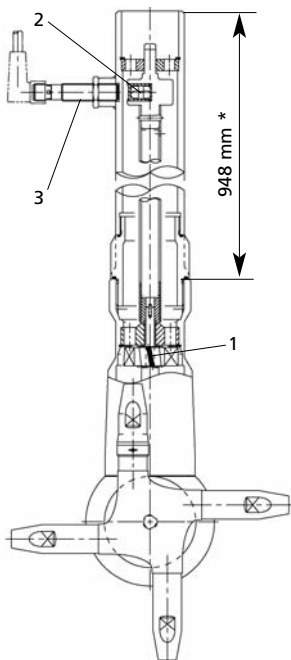
Material:	316L (1.4404), C-PTFE, EPDM (other elastomers on request)
Parts in contact with media:	316L (1.4404), C-PTFE, EPDM
Ambient temperature:	magnetic proximity sensor 0 - 100 °C Veri-Clean and cleaner max. 140 °C, 30 min
Compatible cleaning devices:	Veri-Clean is always supplied as a complete unit with Typhoon, Tempest, Tornado, Tornado 4 or Torrent (Cleaner has to be specified separately)
Feedback:	magnetic proximity sensor 10-30 V DC
Connection:	Inlet: 1 1/2" or 2" male connection BSP or NPT Outlet: according to Tankwasher Standard Veri-Clean housing supplied without vessel connection (customized vessel connections on request)
Surface:	machine finish inside (generally Ra 0.8 µm to 1.6 µm), Ra 0.8 µm outside mechanically polished up to Ra 0.4 µm outside on request
Preferred mounting position:	vertical

- No extra tank connections
- Includes CIP down pipe
- Variable insertion length

Version

Veri-Clean 1 1/2" BSP/948mm	4660-8818-110
Veri-Clean 1 1/2" NPT/948mm	4660-8818-111
Veri-Clean 2" BSP/948mm	4660-8818-112
Veri-Clean 2" NPT/948mm	4660-8818-113

Dimensions (mm)



Operation

- wash head turbine (1) rotates magnet (2) inside vericlean
- external sensor (3) detects magentic field
- stream of signal pulses generated during normal operation

Veri-Clean housing is also the CIP down pipe
Wash head insertion length can be customised

* other lengths available on request

Designation	Part number
Service kits for orbital cleaners	
Twister TSG C-PTFE	4660-4050-888
Twister TSG PTFE	4660-4051-888
Typhoon / Tempest / Tornado TSK TSG C-PTFE	4660-4013-888
Typhoon / Tempest / Tornado TSK TSG PTFE (For cleaners with stainless steel planet gears only)	4660-4014-888
Typhoon / Tempest / Tornado TSKA TPB TSG C-PTFE	4660-4015-888
Typhoon / Tempest / Tornado TSKA TPB TSG PTFE (For cleaners with stainless steel or PEEK planet gears)	4660-4017-888
Typhoon / Tempest / Tornado TSKB TPB/TSG C-PTFE	4660-4016-888
Typhoon / Tempest / Tornado TSKB TPB/TSG PTFE (To upgrade from PEEK to stainless steel planet gears)	4660-4018-888
Tornado 4 C-PTFE	4660-4980-888
Tornado 4 PTFE	4660-4981-888
Torrent C-PTFE	4660-4972-888
Torrent PTFE	4660-4973-888
TMC 45 cleaner head	254-000537
TMC 85 cleaner head	254-000538
TMC 45 coupling	254-000539
TMC 85 coupling	254-000539

Special tool kit









For Twister	4660-4031-888
For Typhoon, Tempest, Tornado	4660-4011-888
For Tornado 4, Torrent	4660-4041-888
For TMC 45	254-000566
For TMC 85	254-000568

Protection cage for Thyphoon, Tempest and Tornado



For Typhoon, Material: 316L (1.4404), Welding connection for pipe: 25,4 mm	254-000630
For Tempest/Tornado, Material: 316L (1.4404), Welding connection for pipe: 41 mm	254-000524
For Tempest/Tornado, Material: 316L (1.4404), Double-sided connection: 1 1/2" BSP male thread	254-000580

	Designation	Part number
Hygienic weld-on nipples for cleaners		
	DN 10 / G 3/8" BSP	705-138
	DN 15 / G 1/2" BSP	705-139
	DN 20 / G 3/4" BSP	705-137
	DN 25 / G 1" BSP	705-136
	DN 40 / G 1 1/4" BSP	705-145
	DN 40 / G 1 1/2" BSP	705-135
	3/8" OD / G 3/8" BSP	705-151
	3/4" OD / G 1/2" BSP	705-148
	1" OD / G 3/4" BSP	705-149
	1" OD / G 1" BSP	705-146
	1 1/2" OD / G 1 1/4" BSP	705-147
2" OD / G 1 1/2" BSP	705-150	
Dirt arrester		
	Connection G-G DIN 11851, gauze filter 0.5 mm, material 316L (1.4404)	
	DN 25 / G-G DIN 11851	254-000545
	DN 50 / G-G DIN 11851	254-000546
	DN 80 / G-G DIN 11851	254-000547
Fixing tube - pre- drilled for welding tube existing CIP-pipe		
	Stainless steel fixing tube for Clipdisc 100	4660-8140-010
	Stainless steel fixing tube for Clipdisc 150	4660-0661-000
Mobile trestle for cleaners		
	Connection 1"	254-000502
	Connection 1 1/2"	254-000504
Hose reels		
	Static hose reel 2" (technical details on request)	4660-2802-005
	Mobile hose reel 2" (technical details on request)	4660-2802-004
	Cleaner hose 1"	4660-2802-002
	Cleaner hose 1.5"	4660-2802-001
	Cleaner hose 2"	4660-2802-003
Set of certificates for cleaners		
	ATEX Documentation	
	Factory certificate 2.2 DIN EN 10204, FDA conformity,	
	Material test certificate 3.1 DIN EN 10204	
	other certificates on request	
Tank Safety System VARITOP		
	The tank safety system is used for tank cleaning, for the protection of the tank against inadmissible overpressure and vacuum and for the control of the gas and liquid flow.	
	Further information on request	

GEA Breconcherry

Cleaning lance

Code	RTL	07	08	00	00	E	01	00	00	E	M	Z
Item	1	2	3	4	5	6	7	8	9	10	11	12

Example	Item	Designation	Code options for selection																																																	
RTL	1	RTL	Cleaning lance																																																	
07	2	Prepared with	01	3/8" BSP male thread	02	1/4" BSP female thread	03	1/2" BSP male thread	04	3/4" BSP male thread	05	1" BSP male thread	06	1 1/4" BSP male thread	07	1 1/2" BSP male thread	08	2" BSP male thread	09	Pin Fix for 1/2" OD pipe (12.7x1.6)	10	Pin Fix for 3/4" OD pipe (19.05x1.6)	11	Pin Fix for 1" OD pipe (25.4x1.6)	12	Pin Fix for 1 1/2" OD pipe (38.1x1.6)	13	Pin Fix for pipe (12mm)	14	Pin Fix for pipe (13mm)	15	Pin Fix for pipe (29mm)	16	Pin Fix for pipe (53mm)																		
08	3	Insertion length (any can be chosen)	01	100 mm	04	400 mm	07	700 mm	10	1000 mm	02	200 mm	05	500 mm	08	800 mm	15	1500 mm	03	300 mm	06	600 mm	09	900 mm	33	Customized																										
00	4	Tank connection	00	No tank connection (welded in)	01	Blind flange PN 16 DN 40, DIN 1092-1	02	Blind flange PN 16 DN 50, DIN 1092-1	03	Blind flange PN 16 DN 65, DIN 1092-1	04	Blind flange PN 16 DN 80, DIN 1092-1	05	Blind flange PN 16 DN 100, DIN 1092-1	06	Blind flange PN 16 DN 125, DIN 1092-1	07	Blind flange PN 16 DN 150, DIN 1092-1	08	Blind flange PN 16 DN 200, DIN 1092-1	09	VARIVENT® grooved flange, DN 40	10	VARIVENT® grooved flange, DN 50	11	VARIVENT® grooved flange, DN 65	12	VARIVENT® grooved flange, DN 80	13	VARIVENT® grooved flange, DN 100	14	VARIVENT® grooved flange, DN 125	15	VARIVENT® grooved flange, DN 150	16	VARIVENT® grooved flange, 1 1/2" OD	17	VARIVENT® grooved flange, 2" OD	18	VARIVENT® grooved flange, 2 1/2" OD	19	VARIVENT® grooved flange, 3" OD	20	VARIVENT® grooved flange, 4" OD	21	VARIVENT® grooved flange, 6" OD	22	Hygienic grooved flange DN 40, DIN 11853-2, (formerly DIN 11864-2, short)	23	Hygienic grooved flange DN 50, DIN 11853-2, (formerly DIN 11864-2, short)	24	Hygienic grooved flange DN 65, DIN 11853-2, (formerly DIN 11864-2, short)

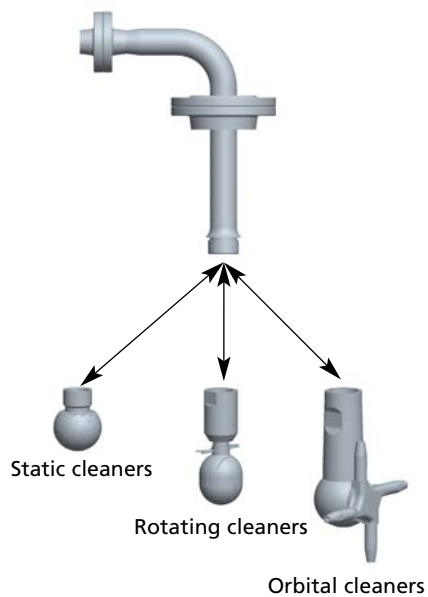
Code	RTL	07	08	00	00	E	01	00	00	E	M	Z
Item	1	2	3	4	5	6	7	8	9	10	11	12

Example	Item	Designation	Code options for selection
00	4	Tank connection	25 Hygienic grooved flange DN 80, DIN 11853-2, (formerly DIN 11864-2, short) 26 Hygienic grooved flange DN 100, DIN 11853-2, (formerly DIN 11864-2, short) 27 Hygienic grooved flange DN 125, DIN 11853-2, (formerly DIN 11864-2, short) 28 Hygienic grooved flange DN 150, DIN 11853-2, (formerly DIN 11864-2, short) 29 Hygiene grooved flange 1 1/2" OD DIN 11853-2, (formerly DIN 11864-2, short) 30 Hygiene grooved flange 2" OD DIN 11853-2, (formerly DIN 11864-2, short) 31 Hygiene grooved flange 2 1/2" OD DIN 11853-2, (formerly DIN 11864-2, short) 32 Hygiene grooved flange 3" OD DIN 11853-2, (formerly DIN 11864-2, short) 33 Hygiene grooved flange 4" OD DIN 11853-2, (formerly DIN 11864-2, short) 34 Hygiene grooved flange 6" OD DIN 11853-2, (formerly DIN 11864-2, short) 35 Tri-Clamp, 1 1/2" OD, DIN 32676 36 Tri-Clamp, 2" OD, DIN 32676 37 Tri-Clamp, 2 1/2" OD, DIN 32676 38 Tri-Clamp, 3" OD, DIN 32676 39 Tri-Clamp, 4" OD, DIN 32676 40 Tri-Clamp, 6" OD, DIN 32676 41 Conical fitting / round slotted nut DN 65, DIN 11851 42 Conical fitting / round slotted nut DN 80, DIN 11851 43 Conical fitting / round slotted nut DN 100, DIN 11851 44 Conical fitting / round slotted nut DN 125, DIN 11851 45 Conical fitting / round slotted nut DN 150, DIN 11851
00	5	Counter flange/ flange seal, tank connection	00 No counter flange 01 With counter flange
E	6	Tank connection seal	E EPDM F FKM S SEL (for blind flange only) N NBR (for blind flange only)
01	7	Monitoring sensor	00 No monitoring sensor 01 With monitoring sensor (for orbital cleaners only) 02 Prepared for monitoring sensor (for orbital cleaners only)
00	8	Pressure supply port	00 Welded end 01 VARIVENT® grooved flange DN 25 02 VARIVENT® grooved flange DN 50 03 VARIVENT® grooved flange 1" OD 04 VARIVENT® grooved flange 2" OD 05 Hygienic grooved flange DN 25, DIN 11853-2 06 Hygienic grooved flange DN 50, DIN 11853-2 07 Hygienic grooved flange 1" OD, DIN 11853-2 08 Hygienic grooved flange 2" OD, DIN 11853-2 09 Screw fitting DN 25, DIN 11851 10 Screw fitting DN 50, DIN 11851 11 Tri-Clamp 1" OD, DIN 32676 12 Tri-Clamp 2" OD, DIN 32676 13 Welding neck flange DN 25, DIN 1092-1 14 Welding neck flange DN 50, DIN 1092-1 15 Clamping ring flange DN 50

GEA Breconcherry

Cleaning lance

Code	RTL	07	08	00	00	E	01	00	00	E	M	Z	
Item	1	2	3	4	5	6	7	8	9	10	11	12	
Example	Item	Designation	Code options for selection										
00	9	Counter flange flange seal, pressure supply port	00	No counter flange									
			01	With counter flange									
E	10	Pressure supply port seal	E	EPDM									
			F	FKM									
			S	SEL (for welding neck flange only)									
			N	NBR (for welding neck flange only)									
M	11	Surface	M	Matt									
			E	Electropolished									
Z	12	Certificates	-	None									
			W	2.2 factory certificate									
			Z	3.1 certificate									
			O	Surface test report									



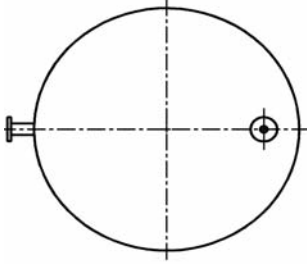
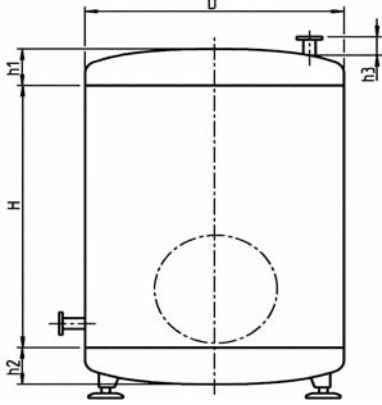
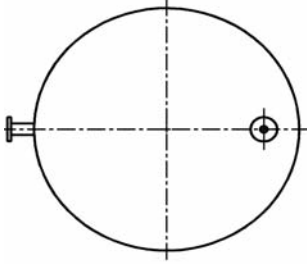
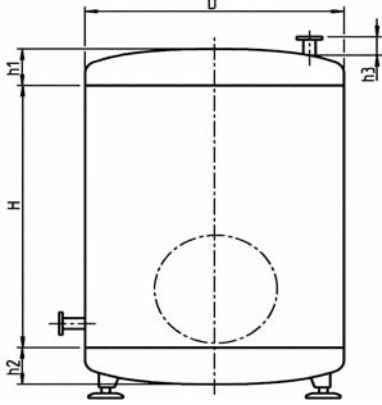
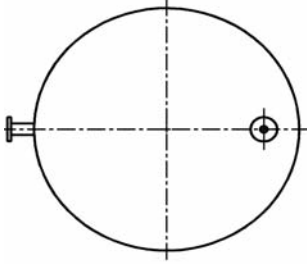
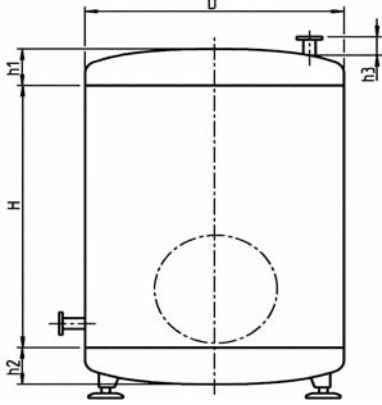

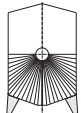
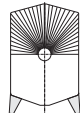

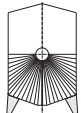
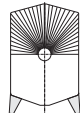

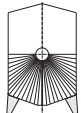
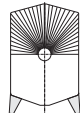
A/F	Indicates the size of spanners width across flats
approx.	approximately
bar	Unit of measurement of pressure [bar] All pressure ratings [bar / psi] are referring to excess pressure [bar g / psi g] if no other data is mentioned.
barg	Unit of measurement excess pressure [bar g]
BS	British Standard
BSP	British Standard Pipe Thread
BSPT	British Standard Pipe Tapered Thread
°C	Unit of measurement of temperature [degree Celsius]
CIP	Cleaning In Place
C-PEEK	Carbon filled Polyether ether ketone
C-PTFE	Carbon filled Polytetrafluoroethylene
CS	Turbo SSB Version CS (combined shaft)
DIN	German standard issued by DIN (Deutsches Institut für Normung e.V, German Institute for Standardization)
DN	DIN nominal width
EN	European Standard
EPDM	Material designation Short designation according to DIN/ISO 1629: Ethylene Propylene Diene Rubber
GEA	GEA AG group of companies GEA stands for Global Engineering Alliance
°F	Unit of measurement of temperature [degree Fahrenheit]
FDA	U.S. Food and Drug Administration
FKM	Material designation, short designation according to DIN/ISO 1629: Fluorine rubber (Viton®)
FFKM	Material designation, short designation according to DIN/ISO 1629 Perfluoroelastomer rubber
h	Unit of measurement of time [hour]
HNBR	Material designation Short designation according to DIN/ISO 1629: Hydrogenated acrylonitrile butadiene rubber
Inch IPS	US pipe dimension Iron Pipe Size
Inch OD	Pipe dimension acc. to British standard (BS), Outside Diameter
IP	Protection class according to IEC 60529
IPS	see inch IPS
ISO	International standard issued by the International Organization for Standardization
kg	Unit of measurement of weight [kilogram]
l	Unit of measurement of volume [litre]
M	metric
max.	maximum
min.	minimum
min	Unit of measurement of time [minute]
m	Unit of measurement of length [metre]
mm	Unit of measurement of length [millimetre]
µm	Unit of measurement of length [micrometre]
NBR	Material designation, short designation according to DIN/ ISO 1629 Acryl nitrile butadine rubber (Nitrile rubber)
NPT	National Pipe Thread
PEEK	Polyether ether ketone
PP	Polypropylene
psi	Unit of measurement of pressure, pound-force per square inch, 1 psi = 6894,75 Pa (All pressure ratings [bar / psi] are referring to excess pressure [bar g / psi g] if no other data is mentioned.)
PTFE	Polytetrafluoroethylene
PVDF	Polyvinylidene flouride
Ra	Average roughness
s	Unit of measurement of time [second]
T.VIS®	Tuchenhagen Valve Information System
V AC	Volt alternating current
V DC	Volt direct current
VMQ	Slicon rubber
W	Unit of measurement of power [Watt]

GEA Breconcherry GEA Mechanical Equipment UK Ltd Unit 4 Porthouse Business Centre, Tenbury Road, Bromyard, Herefordshire, HR7 4FL Phone: +44 1531 632476, Fax: +44 1531 633839 cip@breconcherry.com , www.gea.com	<h1 style="margin: 0;">Cleaner inquiries Checklist</h1>	
---	---	--

1	Company / Customer no.: _____ Contact person: _____ Tel.: _____ Fax: _____ E-Mail: _____
----------	--

2	Project / Tag no.: _____
----------	--------------------------

3	Current status What is the current method of cleaning? Cleaning medium: _____ Estimated cleaning time: _____ Max. ambient temperature: _____ Max. medium temperature: _____ Competition: _____
----------	---

4	Characteristics of tank/item to be cleaned*									
	<table border="1" style="width: 100%; border-collapse: collapse;"> <tr> <td style="width: 70%;">Cleaning inlets / ports</td> <td style="width: 30%;">H (height) cm</td> </tr> <tr> <td>Tank <input type="checkbox"/> vertical <input type="checkbox"/> horizontal</td> <td>L (length) cm</td> </tr> <tr> <td>h1 (cap) cm h2 (base) cm</td> <td>D (diameter) cm</td> </tr> <tr> <td>h3 (connector fitting) cm</td> <td></td> </tr> </table>	Cleaning inlets / ports	H (height) cm	Tank <input type="checkbox"/> vertical <input type="checkbox"/> horizontal	L (length) cm	h1 (cap) cm h2 (base) cm	D (diameter) cm	h3 (connector fitting) cm		
Cleaning inlets / ports	H (height) cm									
Tank <input type="checkbox"/> vertical <input type="checkbox"/> horizontal	L (length) cm									
h1 (cap) cm h2 (base) cm	D (diameter) cm									
h3 (connector fitting) cm										
	<table style="width: 100%;"> <tr> <td style="width: 50%; text-align: center;"> Top view Draw in any connector fittings  </td> <td style="width: 50%; text-align: center;"> Side view Draw in any internal fixtures and the filling level  </td> </tr> </table>	Top view Draw in any connector fittings 	Side view Draw in any internal fixtures and the filling level 							
Top view Draw in any connector fittings 	Side view Draw in any internal fixtures and the filling level 									
	<p>If a detailed drawing or sketch of the tank is available, please supply it with this inquiry.</p>									
	<table style="width: 100%;"> <tr> <td style="width: 30%; text-align: center;"> A  <input type="checkbox"/> 360° </td> <td style="width: 30%; text-align: center;"> B  <input type="checkbox"/> 180° </td> <td style="width: 30%; text-align: center;"> C  <input type="checkbox"/> 180° </td> </tr> </table>	A  <input type="checkbox"/> 360°	B  <input type="checkbox"/> 180°	C  <input type="checkbox"/> 180°						
A  <input type="checkbox"/> 360°	B  <input type="checkbox"/> 180°	C  <input type="checkbox"/> 180°								
	<table style="width: 100%;"> <tr> <td style="width: 33%;">Fixtures: <input type="checkbox"/> Agitators/mixers</td> <td style="width: 33%;"> <input type="checkbox"/> Scrapers <input type="checkbox"/> Baffles <input type="checkbox"/> Measuring instruments </td> <td style="width: 33%;"> <input type="checkbox"/> Heating coil <input type="checkbox"/> Other: _____ </td> </tr> <tr> <td>Number of cleaners: _____</td> <td>Usage: <input type="checkbox"/> Fixed</td> <td><input type="checkbox"/> Mobile</td> </tr> <tr> <td>Placing of cleaners: _____</td> <td><input type="checkbox"/> From top</td> <td><input type="checkbox"/> From below (manhole)</td> </tr> </table>	Fixtures: <input type="checkbox"/> Agitators/mixers	<input type="checkbox"/> Scrapers <input type="checkbox"/> Baffles <input type="checkbox"/> Measuring instruments	<input type="checkbox"/> Heating coil <input type="checkbox"/> Other: _____	Number of cleaners: _____	Usage: <input type="checkbox"/> Fixed	<input type="checkbox"/> Mobile	Placing of cleaners: _____	<input type="checkbox"/> From top	<input type="checkbox"/> From below (manhole)
Fixtures: <input type="checkbox"/> Agitators/mixers	<input type="checkbox"/> Scrapers <input type="checkbox"/> Baffles <input type="checkbox"/> Measuring instruments	<input type="checkbox"/> Heating coil <input type="checkbox"/> Other: _____								
Number of cleaners: _____	Usage: <input type="checkbox"/> Fixed	<input type="checkbox"/> Mobile								
Placing of cleaners: _____	<input type="checkbox"/> From top	<input type="checkbox"/> From below (manhole)								

5	General information (if known)																												
	<table style="width: 100%;"> <tr> <td style="width: 50%;">Type of fouling*:</td> <td style="width: 15%;"> <input type="checkbox"/> Water-soluble <input type="checkbox"/> Solvent-soluble </td> <td style="width: 15%;"> <input type="checkbox"/> Greasy <input type="checkbox"/> Other: _____ </td> <td style="width: 20%;"> <input type="checkbox"/> Encrusted </td> </tr> <tr> <td>Available supply pressure: _____ bar</td> <td>Volume flow rate: _____ m³/h</td> <td colspan="2">Material _____</td> </tr> <tr> <td>Is there a filter for cleaning fluid: _____</td> <td><input type="checkbox"/> No <input type="checkbox"/> Yes</td> <td colspan="2">microns _____</td> </tr> <tr> <td>Desired mounting position: _____</td> <td> <input type="checkbox"/> Vertical <input type="checkbox"/> Horizontal </td> <td colspan="2"><input type="checkbox"/> Other _____</td> </tr> <tr> <td>Certificates: _____</td> <td> <input type="checkbox"/> FDA <input type="checkbox"/> ATEX </td> <td colspan="2"><input type="checkbox"/> Material 3.1</td> </tr> <tr> <td>Monitoring sensor: _____</td> <td> <input type="checkbox"/> Yes <input type="checkbox"/> No </td> <td colspan="2"></td> </tr> <tr> <td>Desired functioning (if known): _____</td> <td> <input type="checkbox"/> Orbital (3D) <input type="checkbox"/> Rotating </td> <td colspan="2"><input type="checkbox"/> Static</td> </tr> </table>	Type of fouling*:	<input type="checkbox"/> Water-soluble <input type="checkbox"/> Solvent-soluble	<input type="checkbox"/> Greasy <input type="checkbox"/> Other: _____	<input type="checkbox"/> Encrusted	Available supply pressure: _____ bar	Volume flow rate: _____ m ³ /h	Material _____		Is there a filter for cleaning fluid: _____	<input type="checkbox"/> No <input type="checkbox"/> Yes	microns _____		Desired mounting position: _____	<input type="checkbox"/> Vertical <input type="checkbox"/> Horizontal	<input type="checkbox"/> Other _____		Certificates: _____	<input type="checkbox"/> FDA <input type="checkbox"/> ATEX	<input type="checkbox"/> Material 3.1		Monitoring sensor: _____	<input type="checkbox"/> Yes <input type="checkbox"/> No			Desired functioning (if known): _____	<input type="checkbox"/> Orbital (3D) <input type="checkbox"/> Rotating	<input type="checkbox"/> Static	
Type of fouling*:	<input type="checkbox"/> Water-soluble <input type="checkbox"/> Solvent-soluble	<input type="checkbox"/> Greasy <input type="checkbox"/> Other: _____	<input type="checkbox"/> Encrusted																										
Available supply pressure: _____ bar	Volume flow rate: _____ m ³ /h	Material _____																											
Is there a filter for cleaning fluid: _____	<input type="checkbox"/> No <input type="checkbox"/> Yes	microns _____																											
Desired mounting position: _____	<input type="checkbox"/> Vertical <input type="checkbox"/> Horizontal	<input type="checkbox"/> Other _____																											
Certificates: _____	<input type="checkbox"/> FDA <input type="checkbox"/> ATEX	<input type="checkbox"/> Material 3.1																											
Monitoring sensor: _____	<input type="checkbox"/> Yes <input type="checkbox"/> No																												
Desired functioning (if known): _____	<input type="checkbox"/> Orbital (3D) <input type="checkbox"/> Rotating	<input type="checkbox"/> Static																											

6	Comments/Other _____ _____
----------	---

* Mandatory fields, please complete

GEA Mechanical Equipment

Business Unit GEA Flow Components

GEA Tuchenhagen

Headquarters of the Business Unit GEA Flow Components

Am Industriepark 2-10, 21514 Büchen, Germany
Phone +49 4155 49-0
sales.geatuchenhagen@gea.com, www.tuchenhagen.com

GEA Aseptomag

Industrie Neuhof 28, CH-3422 Kirchberg, Switzerland
Phone: +41 34 426 29 29, Fax: +41 34 426 29 28
info@aseptomag.ch, www.aseptomag.ch

GEA Breconcherry

Unit 4 Porthouse Business Centre, Tenbury Road,
Bromyard, Herefordshire, HR7 4FL, United Kingdom
Phone: +44 1531 632476, Fax: +44 1531 633839
cip@gea.com, cip.enquiries@gea.com, www.breconcherry.co.uk

GEA Tuchenhagen China

248 Guanghua Road, Shanghai 201108
Phone: +86 21-3126 6008, Fax: +86 21-3126 0680
tuchenhagen.cn@gea.com, www.tuchenhagen.cn

GEA Tuchenhagen France

29, route de la Wantzenau - F-67800 Hoenheim, France
Phone: +33 3 88 19 70 90, Fax: +33 3 88 19 70 99
tuchenhagen.france@gea.com, www.tuchenhagen.fr

GEA Tuchenhagen Polska

ul. BOWID 9R, 75-209 Koszalin, Poland
Phone: +48 94 346 75 40 do 43, Fax: +48 94 340 58 35
service.pl@gea.com, www.tuchenhagen.pl



GEA Tuchenhagen North America

90 Evergreen Drive, Portland, ME 04103 USA
Phone: +1 (207) 797-9500, Fax: +1 (207) 878-7914
info.TNA@gea.com, www.tuchenhagen.us

GEA Tuchenhagen Canada

20 King Street West, Unit B, Stoney Creek, ON L8G 1GB, Canada
Phone: +1 (905) 930-8738, Fax: +1 (905) 930-8848
info.TNA@gea.com, www.tuchenhagen.us

GEA Tuchenhagen India

#3A1, Bommasandra Industrial Area Hebbagodi
Hosur Road, Bengaluru, 560099, India
geatuchenhagen@gea.com, www.tuchenhagen.in



We live our values.

Excellence • Passion • Integrity • Responsibility • GEA-versity

GEA Group is a global engineering company with multi-billion euro sales and operations in more than 50 countries. Founded in 1881, the company is one of the largest providers of innovative equipment and process technology. GEA Group is listed in the STOXX® Europe 600 Index.

GEA Breconcherry

GEA Mechanical Equipment UK Ltd

Unit 4 Porthouse Business Centre, Tenbury Road,
Bromyard, Herefordshire, HR7 4FL
Phone: +44 1531 632476, Fax: +44 1531 633839
cip@gea.com, www.gea.com

